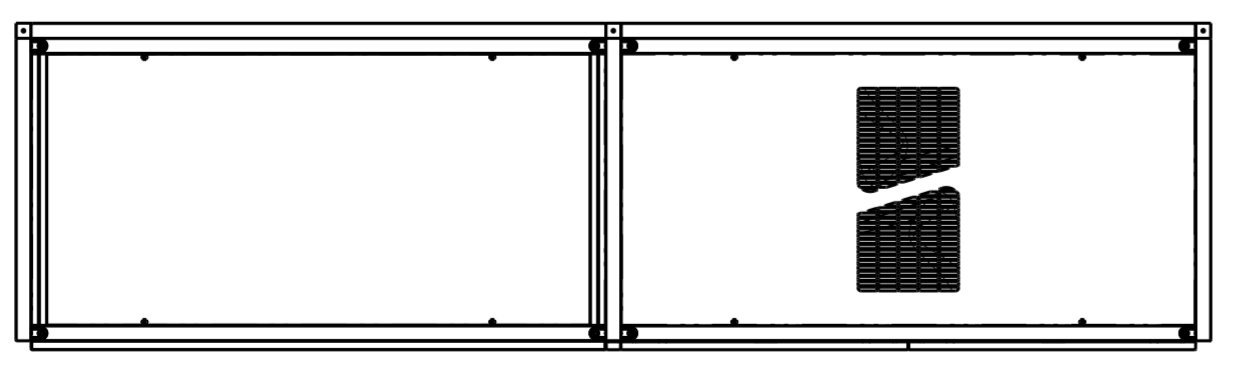
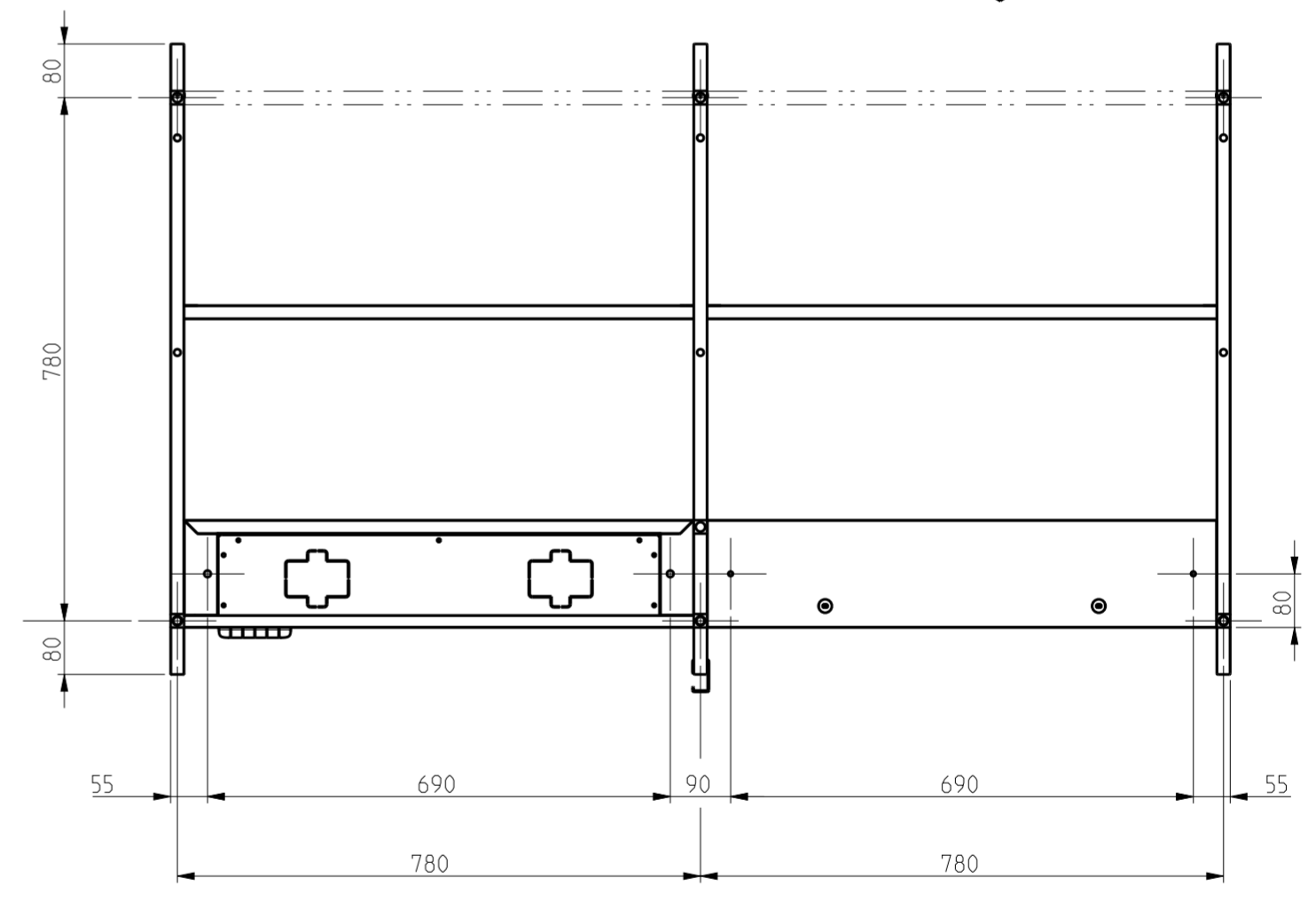
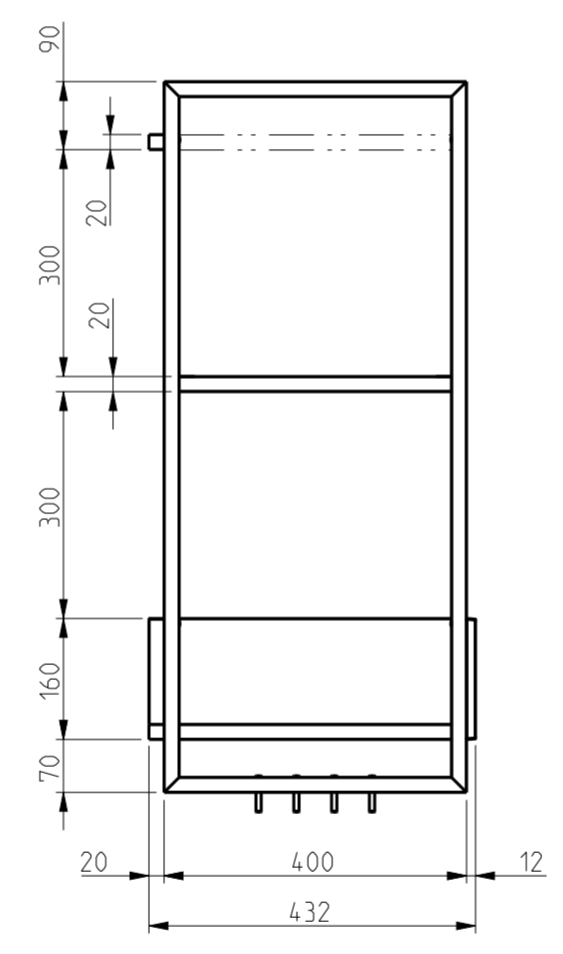
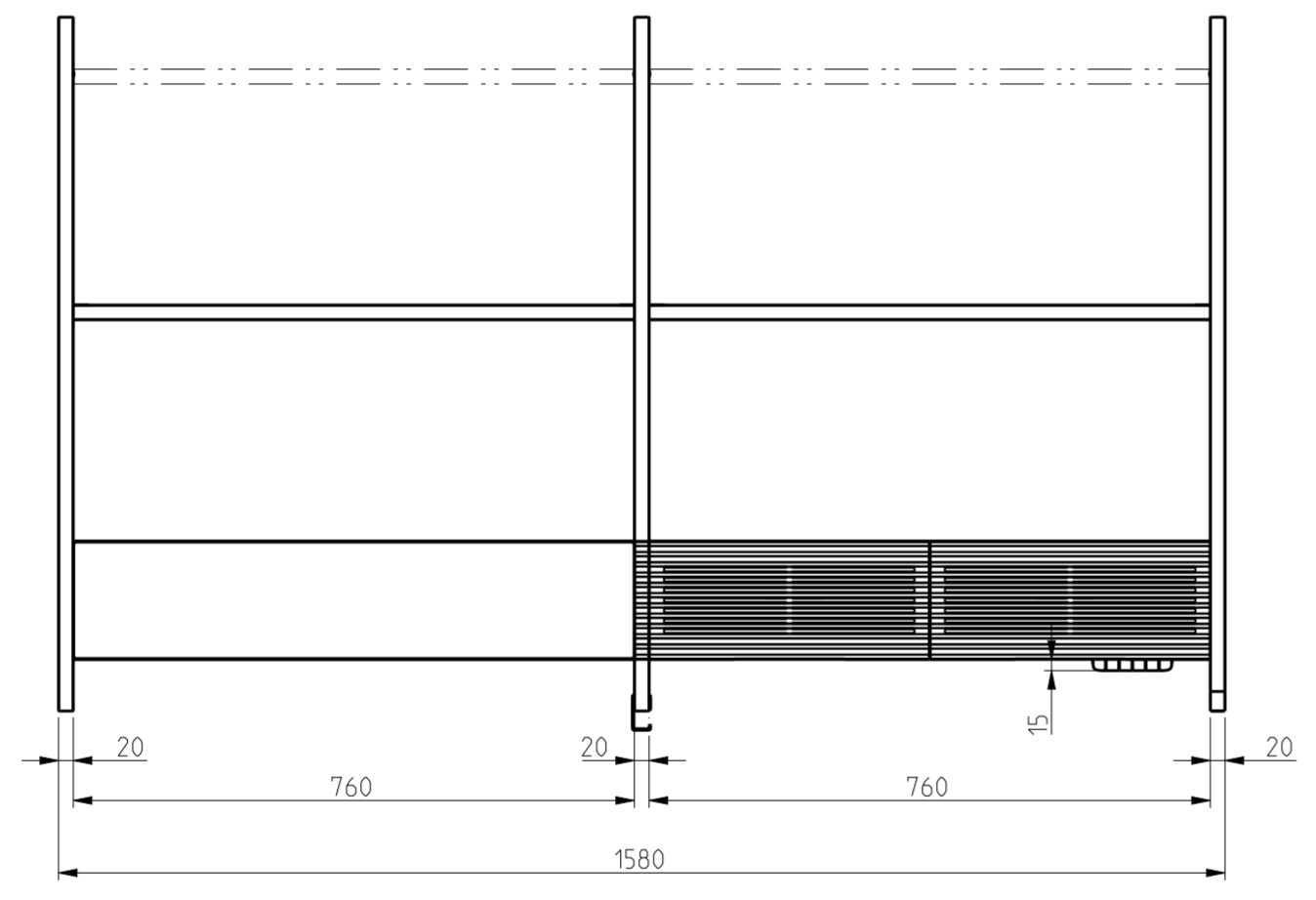
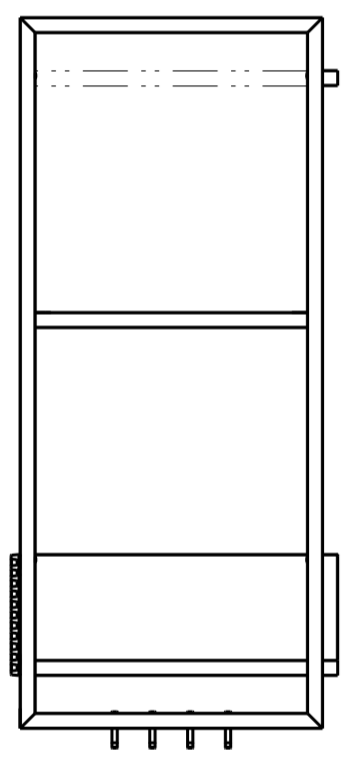
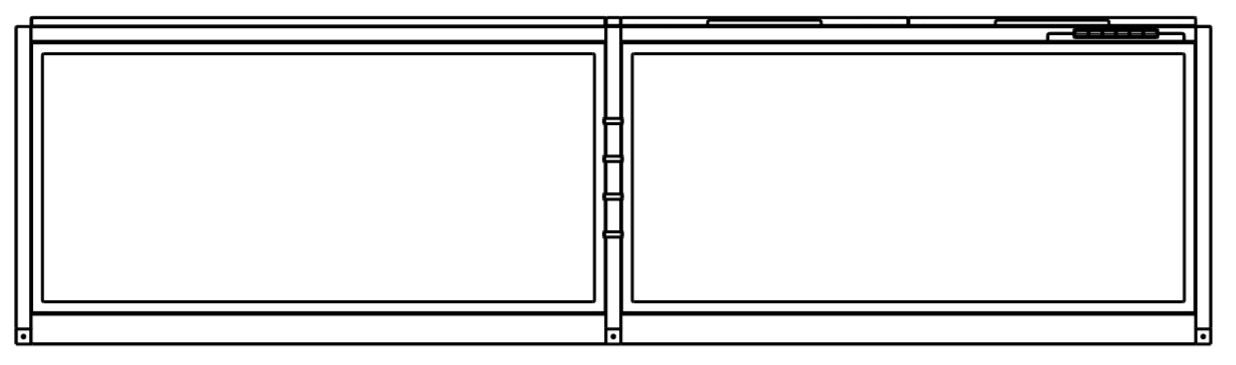
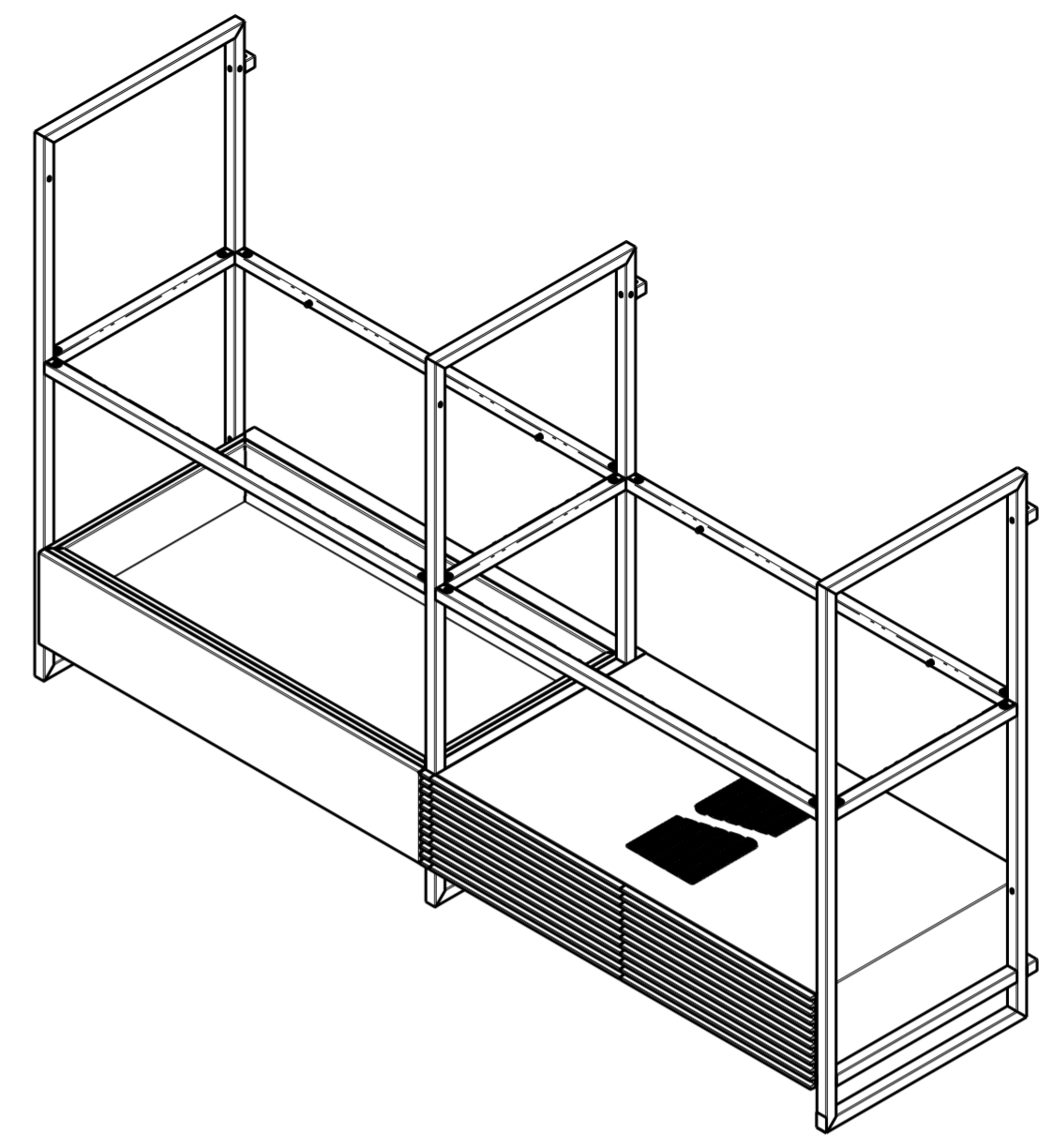


QUOTA PRIMARIA  
 (XX) PRIMARY DIMENSION  
 QUOTA AUSILIARIA  
 (XX) AUXILIARY DIMENSION



Conforme alle Direttive RoHS e Reach Ultima Revisione - Compliant with RoHS and Reach Directive Last Revision			
MODIFICATO DA 09-07-21	SCALA DISEGNO DRAWING SCALE 1:10	MODELLO MODEL	FOGLIO DI SHEET 1 OF 1
MODIFIED BY Marco Marcellini	CREATO DA 30-01-20	DESCRIZIONE DESCRPTION	SOSTITUISCE REPLACES
CREATED BY Marco Marcellini	APPROVATO DA -	DESCRIZIONE DESCRPTION	APPROX. MASS 0.00 Kg
APPROVED BY	STATO STATE	REVISIONE REVISION	LOCAL. PROG. PROJ. LOCAL.
IF INFORMATION CONTAINED IN THIS DRAWING IS CONFIDENTIAL AND PROPERTY OF ELICA S.p.A. AND/OR ITS SUBSIDIARIES, ANY USE, EXCEPT THAT FOR IT MAY BE LOANED, IS PROHIBITED.	FIRST ANGLE PROJECTION	Released	A
<p>UNLESS OTHERWISE SPECIFIED ALL DIMENSIONS ARE IN MILLIMETRES AND SURFACE FINISH IS IN MICROMETERS</p>		elica	DISEGNO N. DRAWING NO.
			DS10010631

STANDARDI APPLICABILI APPLICABLE STANDARDS	DESCRIZIONE DESCRIPTION	DATA DATE	MODIF. NO MODIF. NO	DESCRIZIONE MODIFICA MODIFICATION DESCRIPTION	DISEGNATO DA DRAWN BY	ESP MOD ESP MOD
IF09ADA002	REQUISITI QUALITATIVI ESTETICI AESTHETIC QUALITY REQUIREMENTS					
ISO 2768-mk	ISO 2768 GEN TOL CLASS mk					
NR. STD	DESCRIZIONE					
STD. NO.	DESCRIPTION					