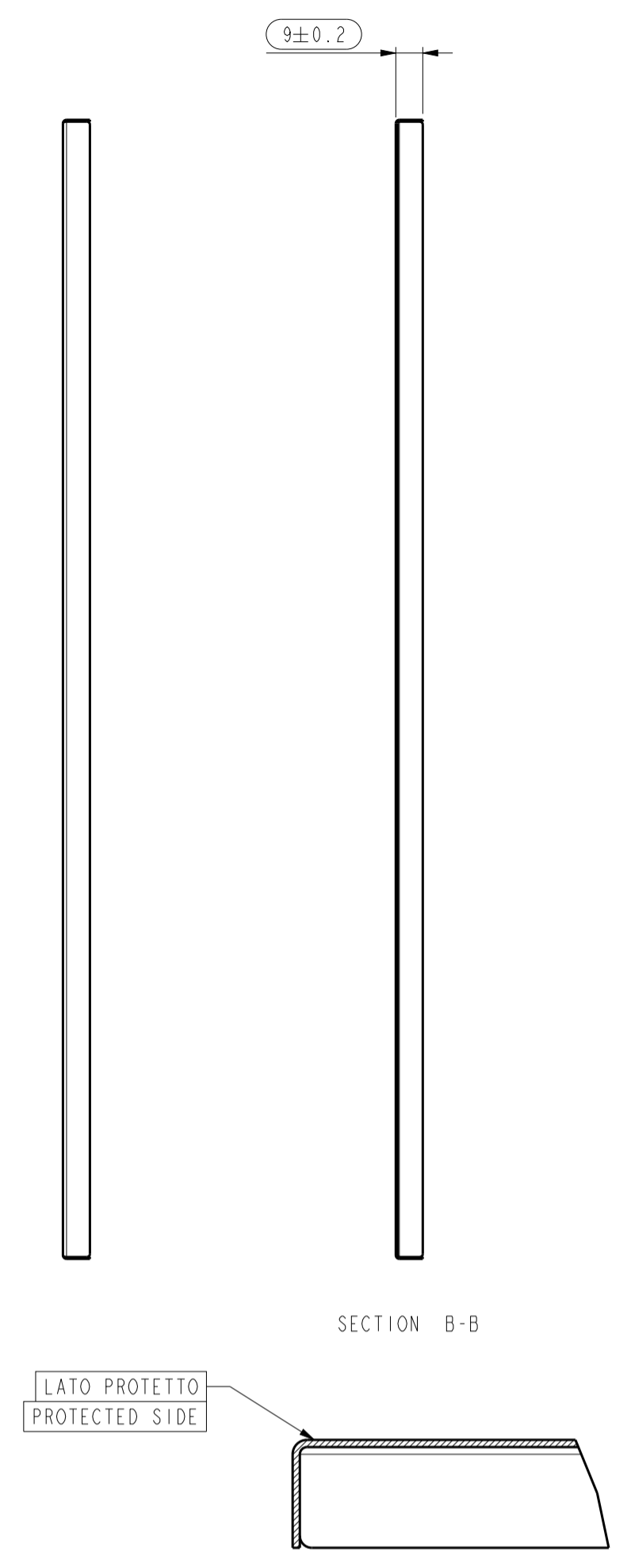
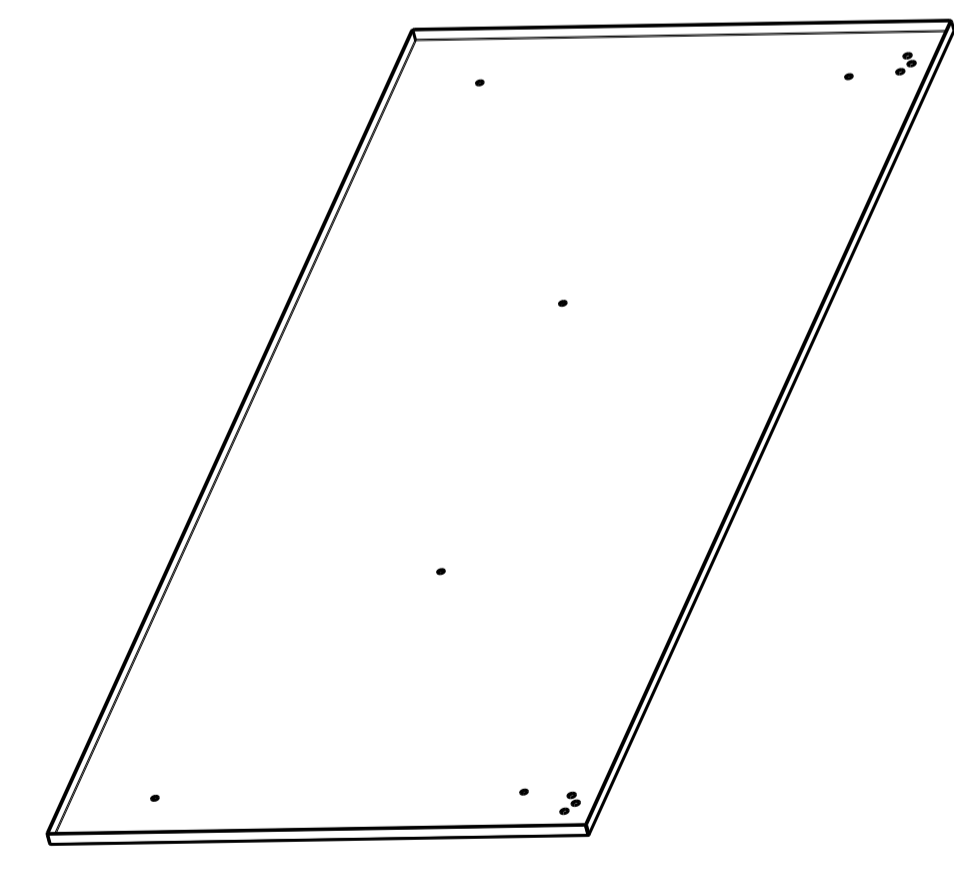
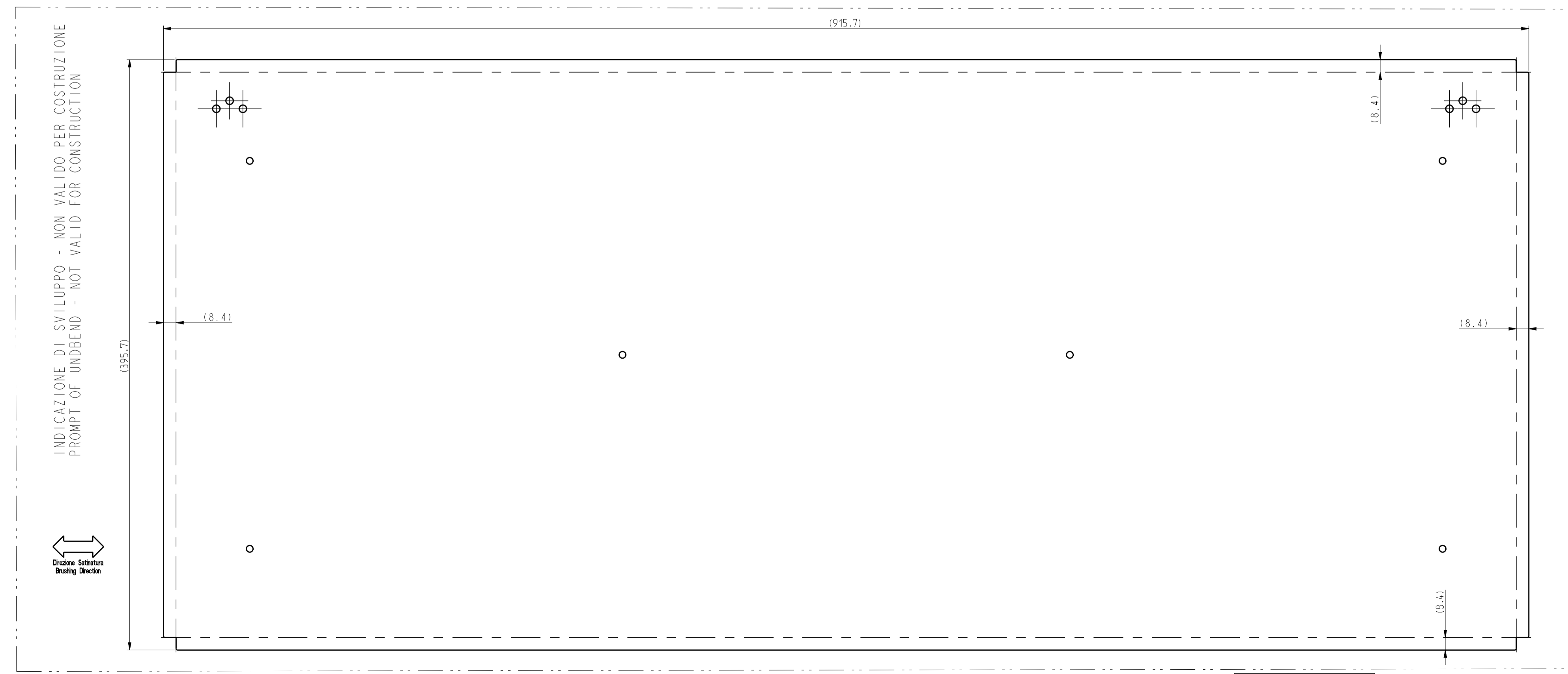


SECTION A-A



SECTION B-B

DETAIL A
SCALE 2:1



SCALE 1:5

PAN0143067 A	PIEGATO	0.6	AISI 430 2B-SB	-	-
PAN0143067 20A	TRINCIATO	0.6	AISI 430 2B-SB	-	-
CODICE	STATO	SPESORE	MATERIALE	FINITURA	TRATTAMENTO
	STATE	THICKNESS	MATERIAL	FINISH	TREATMENT

Conforme alla Direttiva 2011/65/EC (RoHS) - Compliant with Directive 2011/65/EC (RoHS)					
DISEGNATO DA	16.05.18	SCALA DISEGNO	1:2	MODELLO	CEILING 2018
DISegnato da	DONATI	DRAWING SCALE		MODEL	
APPROVATO DA				DESCRIZIONE	PANNAP.CARTONG.CEILING 6
APPROVED BY				DESCRIPTION	
<small>IF INFORMATION CONTINUED IN DETAIL SHEET OR CONFIDENTIAL & TO PROPERTY OF ELICA S.P.A. - ALL RIGHTS RESERVED - REPRODUCTION OR DISTRIBUTION WITHOUT THE WRITTEN PERMISSION OF ELICA S.P.A. IS STRICTLY PROHIBITED.</small>				<small>UNLESS OTHERWISE SPECIFIED ALL DIMENSIONS ARE IN MILLIMETERS AND ANGLES ARE IN DEGREES.</small>	
<small>THE INFORMATION CONTAINED HEREIN IS CONFIDENTIAL AND PROPERTY OF ELICA S.P.A. - ALL RIGHTS RESERVED - REPRODUCTION OR DISTRIBUTION WITHOUT THE WRITTEN PERMISSION OF ELICA S.P.A. IS STRICTLY PROHIBITED.</small>			STATO	REVISIONE	LOCAL PROJ.
			Released	B	
				DISEGNO N.	PAN0143067
				DRAWING NO.	

ISO 2768-MK	ISO 2768-SEN TO1 CLASS MK	10.02.20	SPM190312	AGGIUNTI 6 FORI CENTRALI PER FISSAGGIO PANNELLO	LAZZARETTI	d)
NO. STD.	DESCRIZIONE	16.05.18	NO. SPM	AGGIORNATO DISEGNO PER START ATTREZZATURE E GATE 3	DONATI L.	7
STANDARD APPLICABLE	APPLICABLE STANDARDS	06.04.18	NO. SPM	DIMINUITA QUOTA LARGHEZZA A 900 mm., ERA 920 mm.	CIMARRA	3
			DATE	DESCRIZIONE MODIFICA	DISEGNATO DA	ESP. MOD.
				MODIFICAZIONE DESCRIZIONE	DRAWN BY	ESP. MOD.

Tolleranze generali per dimensioni lineari (ISO 2768-MK) - General Tolerances for Linear Dimensions (ISO 2768-MK)
 Tolleranze generali per posizioni (ISO 2768-MS) - General Tolerances for Positions (ISO 2768-MS)
 Tolleranze generali per forme (ISO 2768-FS) - General Tolerances for Form (ISO 2768-FS)
 Tolleranze generali per superfici (ISO 2768-SM) - General Tolerances for Surfaces (ISO 2768-SM)
 Tolleranze generali per angoli (ISO 2768-FA) - General Tolerances for Angles (ISO 2768-FA)
 Tolleranze generali per filettature (ISO 2768-2H) - General Tolerances for Threaded Features (ISO 2768-2H)
 Tolleranze generali per filettature speciali (ISO 2768-2H) - General Tolerances for Special Threaded Features (ISO 2768-2H)
 Tolleranze generali per filettature a passo variabile (ISO 2768-2H) - General Tolerances for Variable Pitch Threaded Features (ISO 2768-2H)
 Tolleranze generali per filettature a passo variabile speciale (ISO 2768-2H) - General Tolerances for Special Variable Pitch Threaded Features (ISO 2768-2H)
 Tolleranze generali per filettature a passo variabile speciale a fine filettatura (ISO 2768-2H) - General Tolerances for Special Variable Pitch Threaded Features with Special End Thread (ISO 2768-2H)