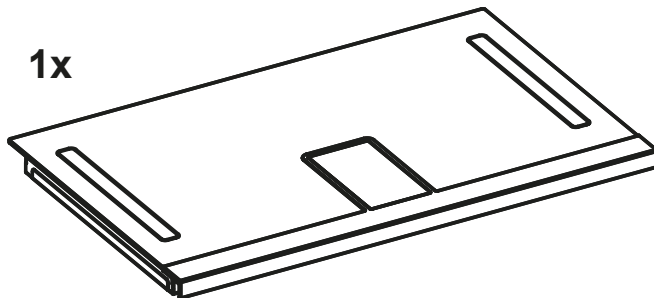
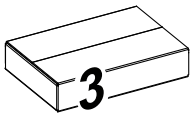


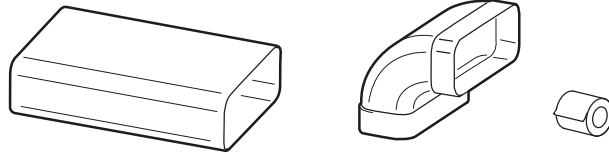
\* [www.elica.com](http://www.elica.com)  
\* [www.shop.elica.com](http://www.shop.elica.com)





\* [www.elica.com](http://www.elica.com)  
[www.shop.elica.com](http://www.shop.elica.com)

**KIT0185767**



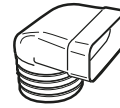
**KIT0121010**  
190x190  
Ø147mm



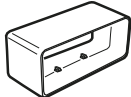
**KIT0121009**  
INT 216x82mm  
EXT 290x160mm



**KIT0121006**  
90°



**KIT0121007**  
227x94  
Ø146mm



**KIT0121001**  
227x94x80mm



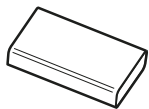
**KIT0126810**  
227x94mm



**KIT0121003**  
Ø158  
59mm



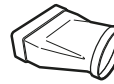
**KIT0161453**



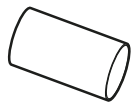
**KIT0173527**  
222x89x500mm  
**KIT0120991**  
222x89x1000mm



**KIT0121004**  
90°  
227x288x94mm



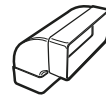
**KIT0121008**  
227x94 Ø153mm



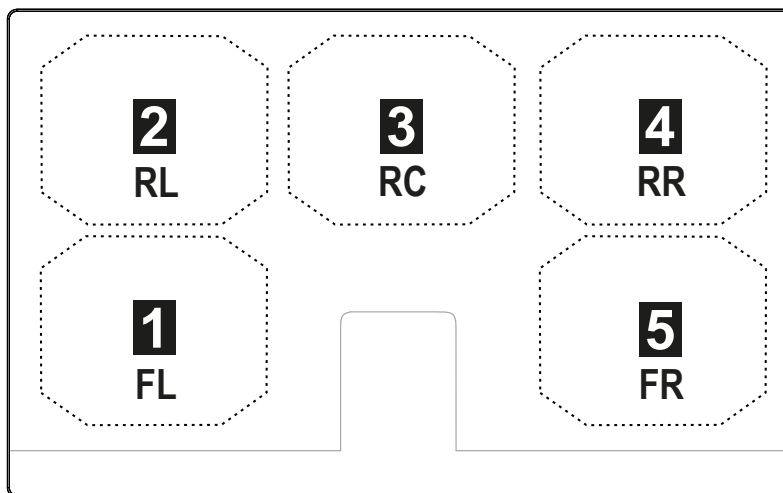
**KIT0120996**  
Ø150 - 500mm  
**KIT0121000**  
Ø150 - 1000mm



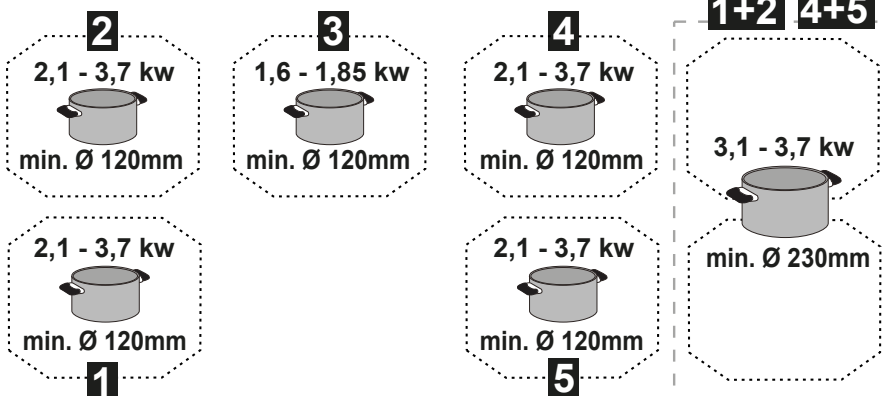
**KIT0121002**  
15°  
227x94mm

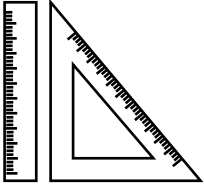


**KIT0121005**  
90°  
227x94mm

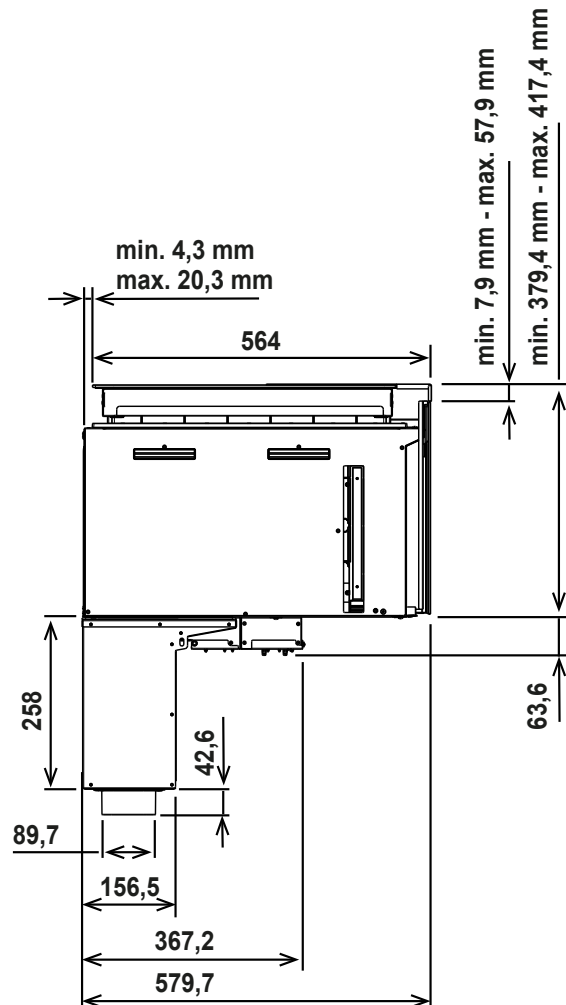
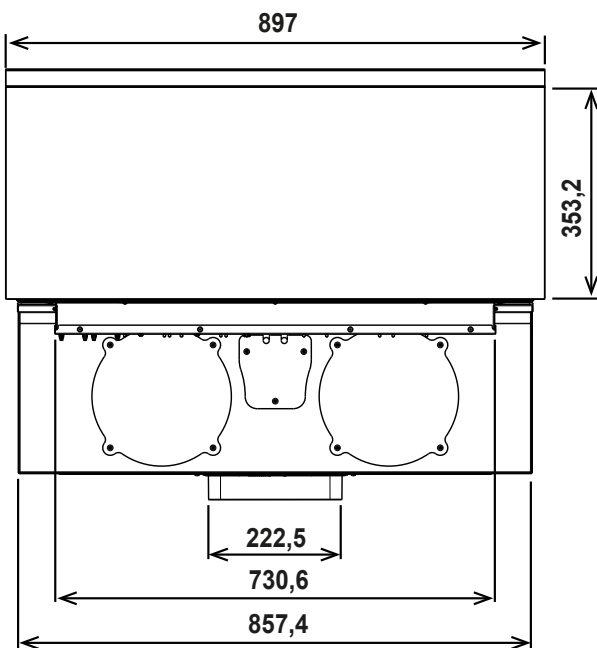
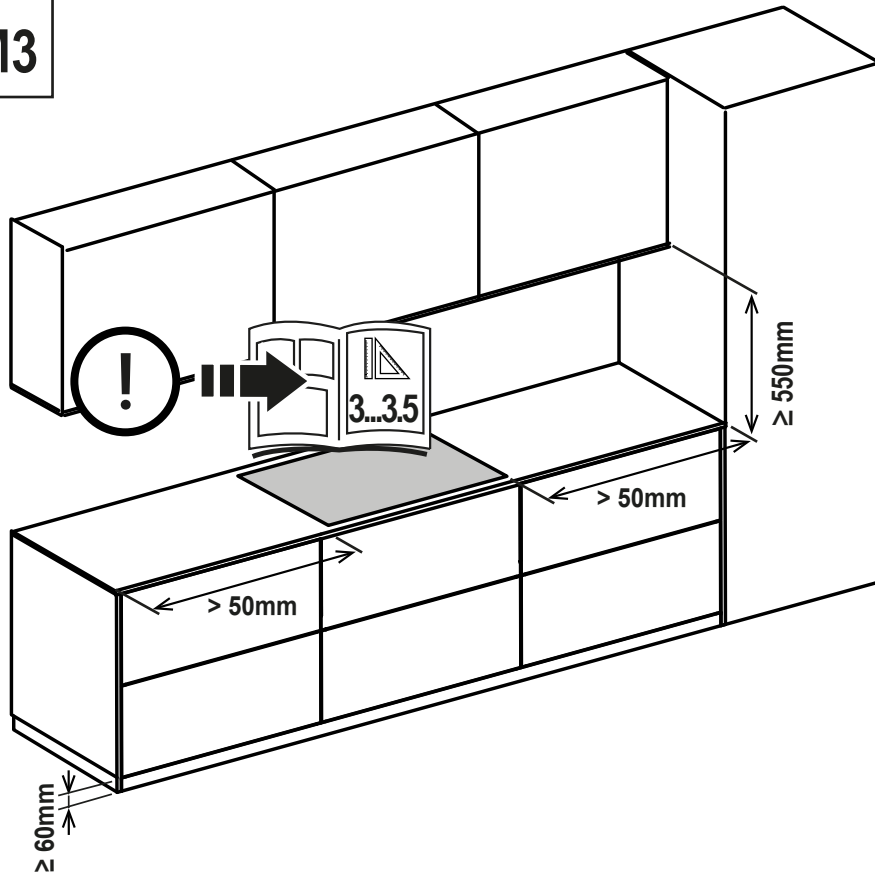


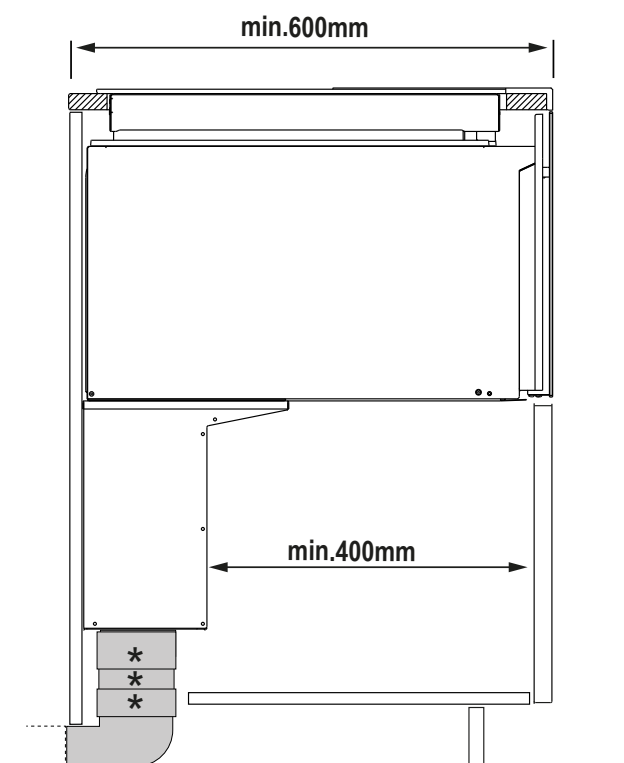
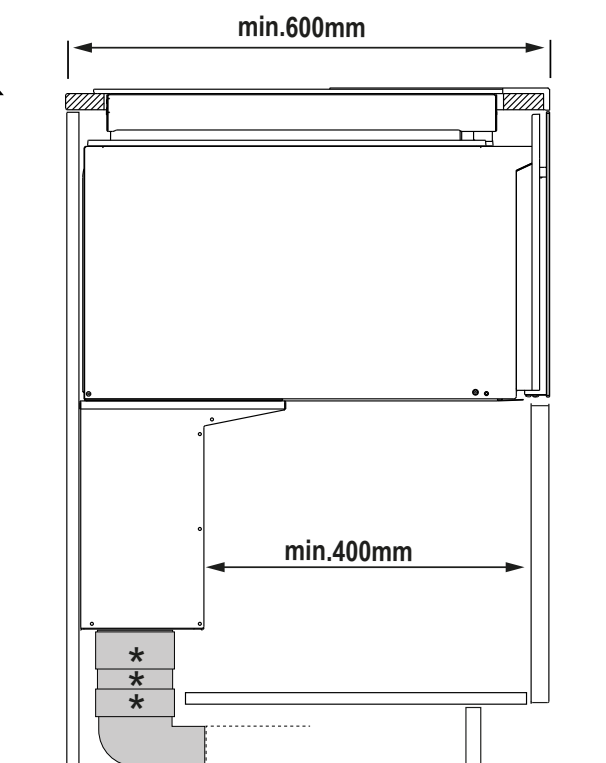
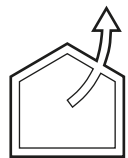
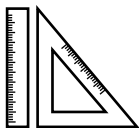
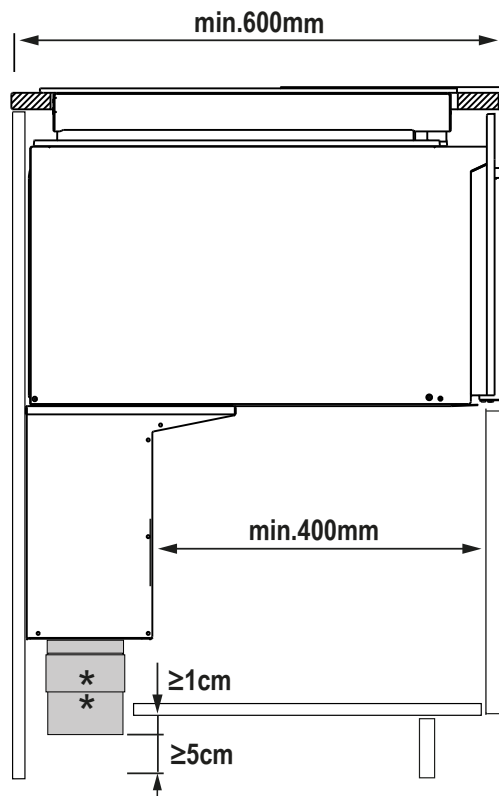
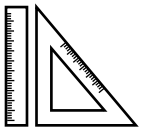
**FRONT**



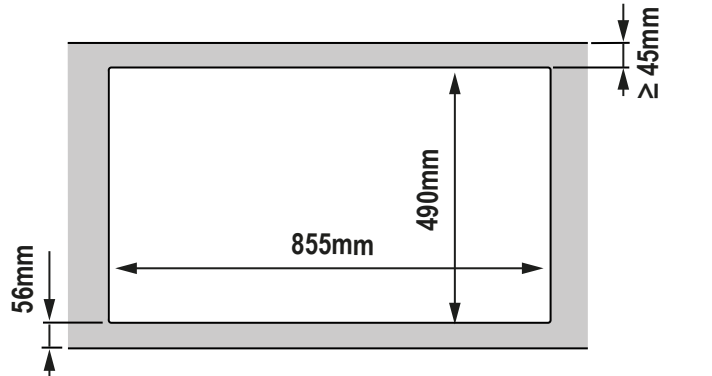
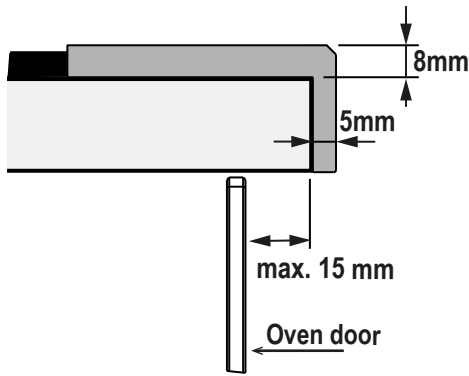
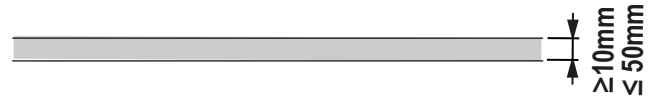
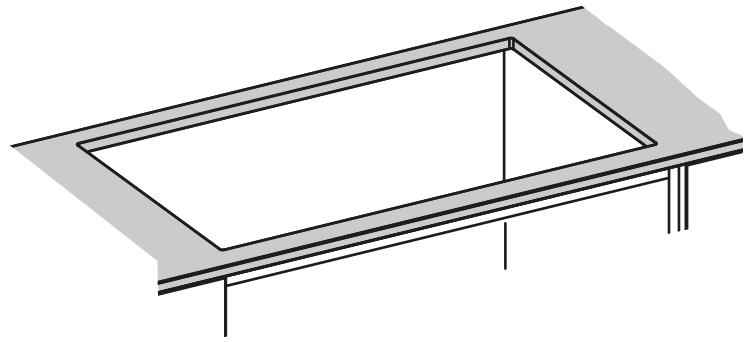
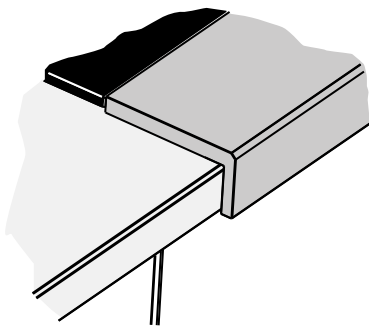


M1 M2 M3



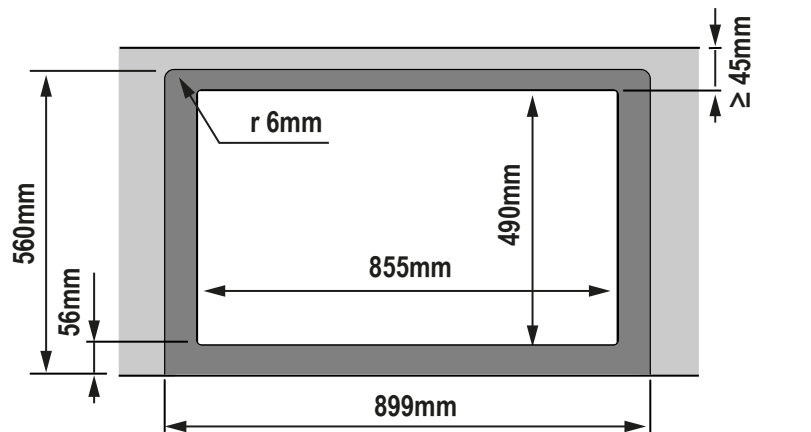
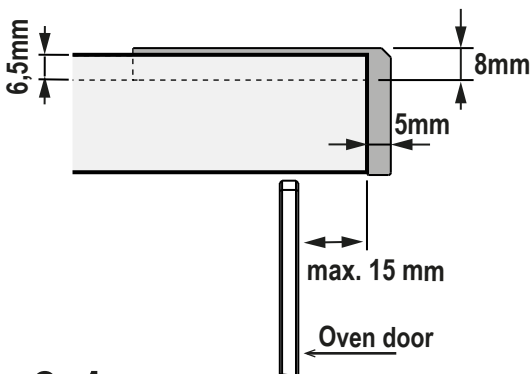
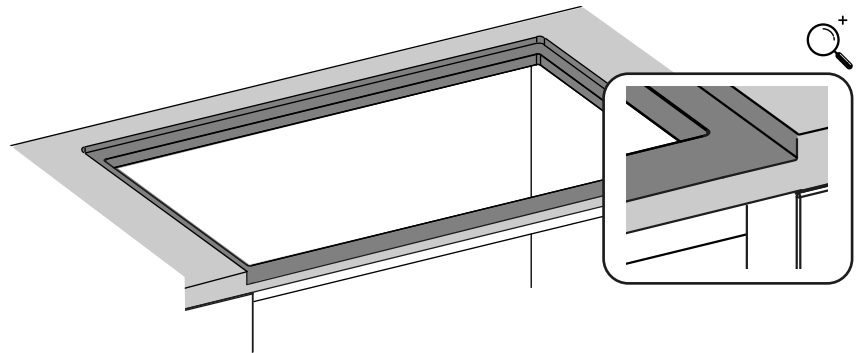
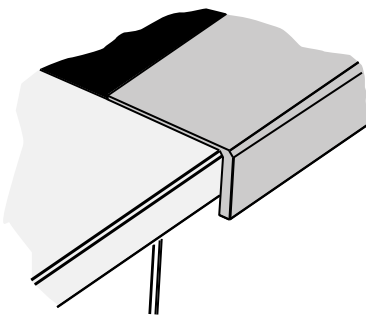


**M1**  **ON TOP**



**3**

**M1**  **FLUSH**

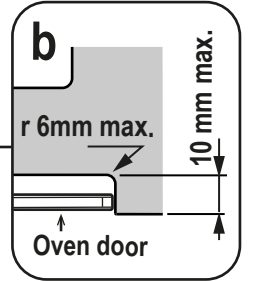
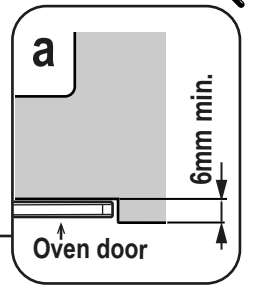
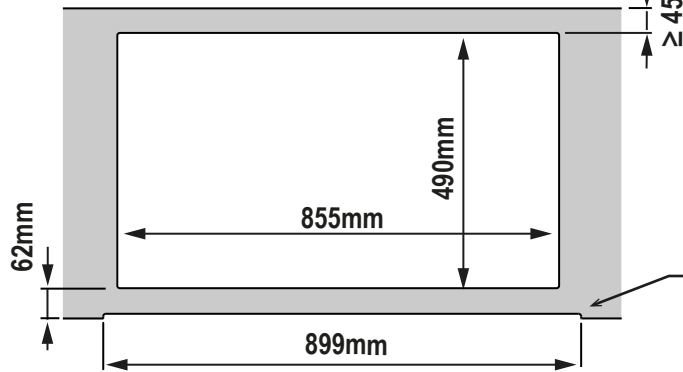
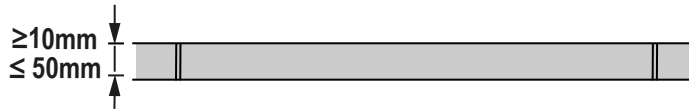
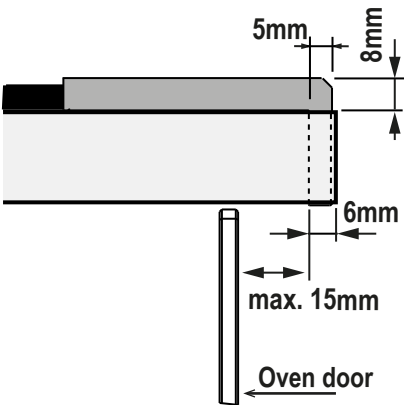
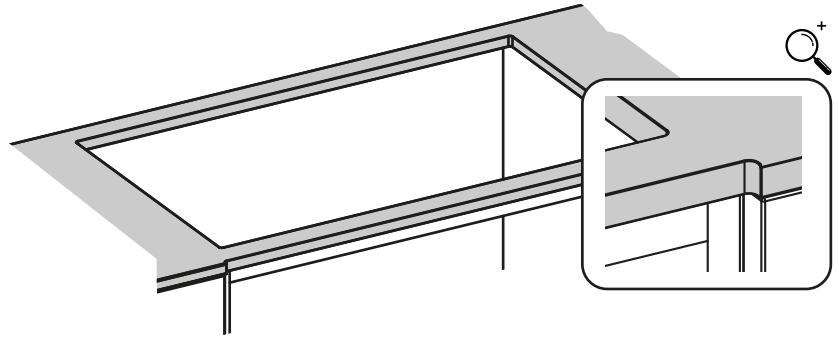
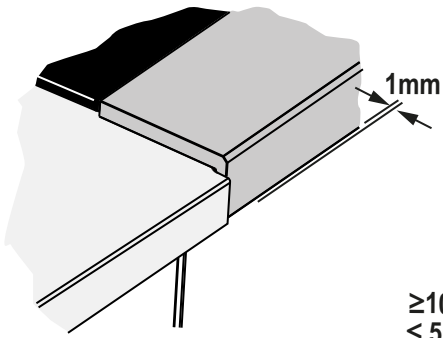


**3.1**

M2

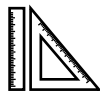


# ON TOP

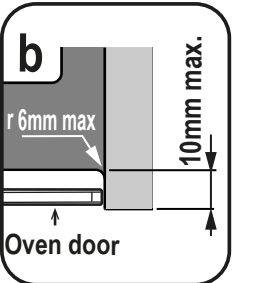
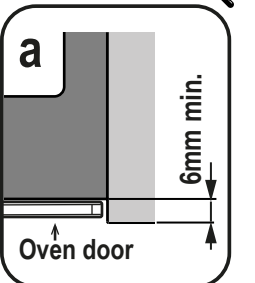
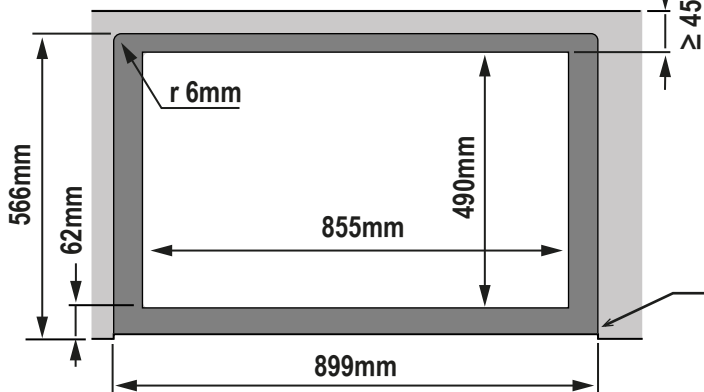
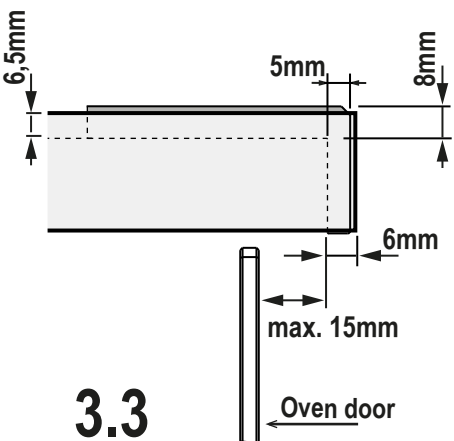
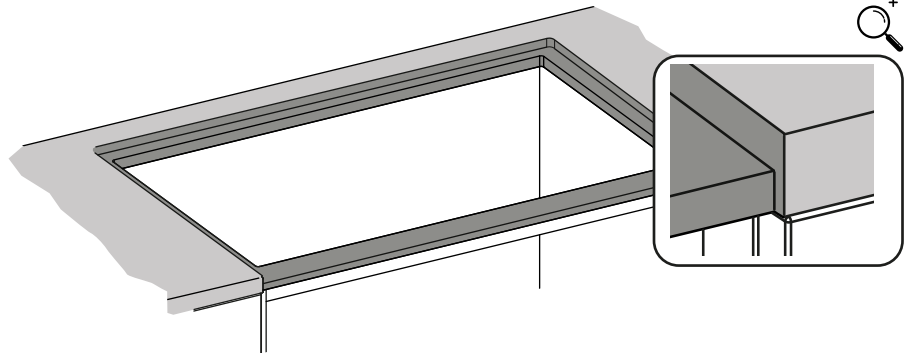
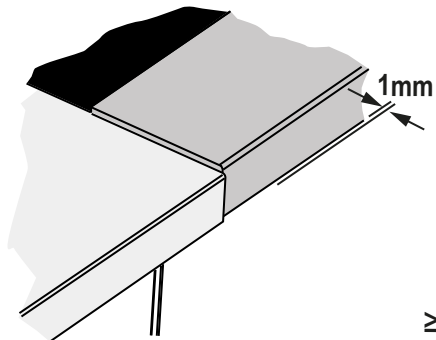


## 3.2

M2

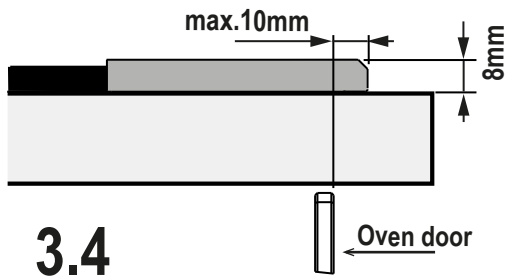
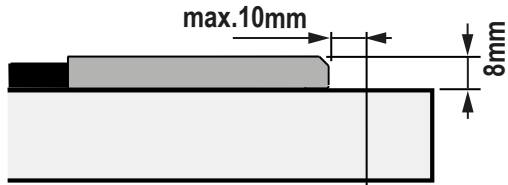
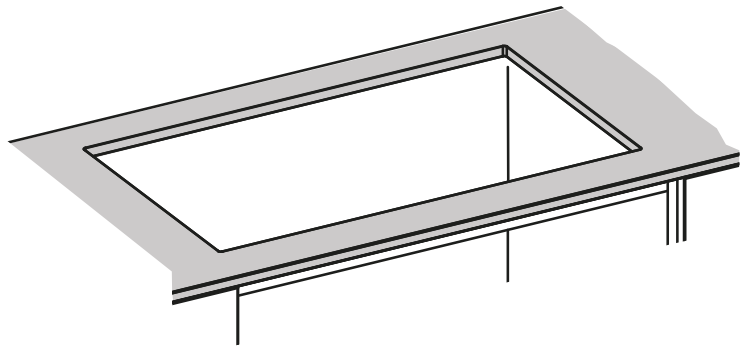
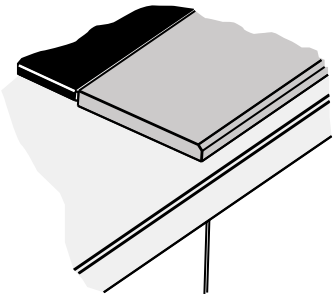


# FLUSH

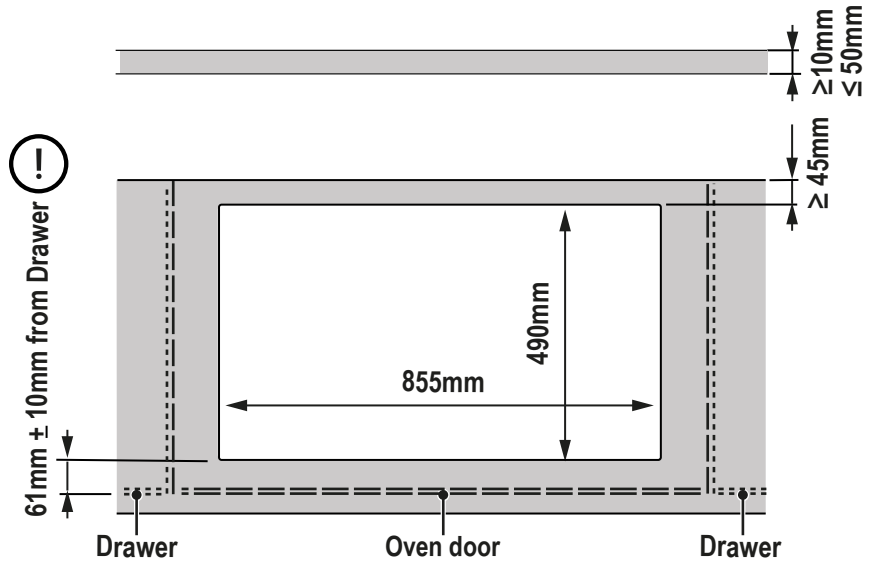


## 3.3

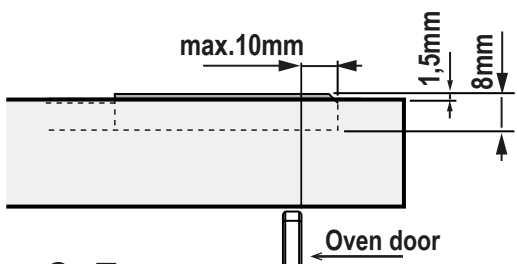
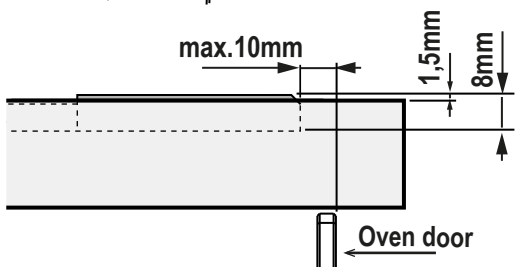
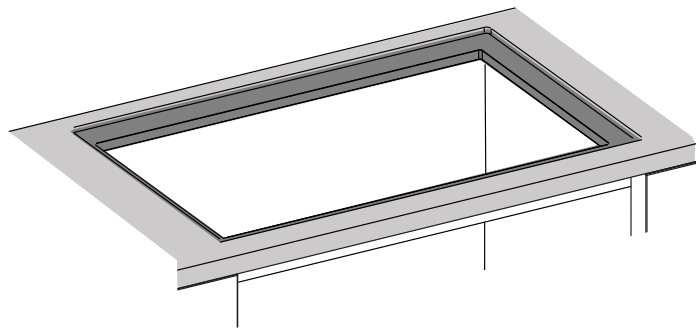
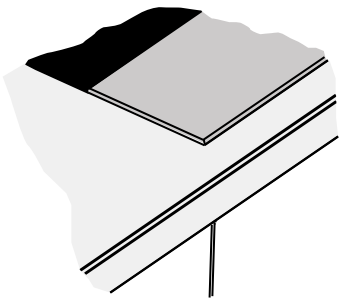
**M3**  **ON TOP**



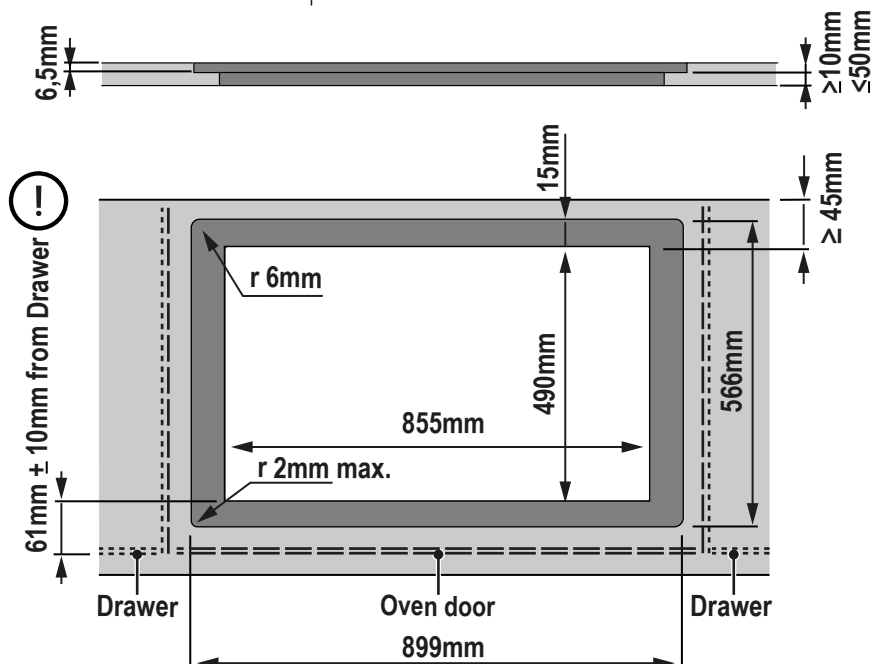
**3.4**



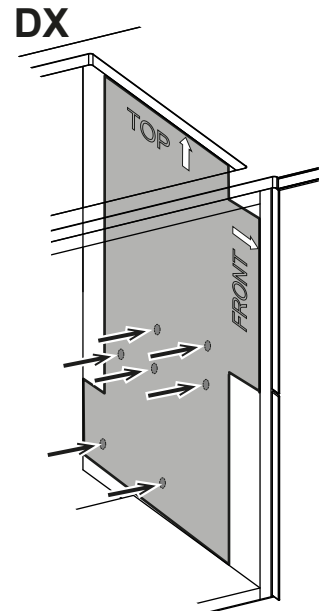
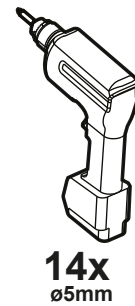
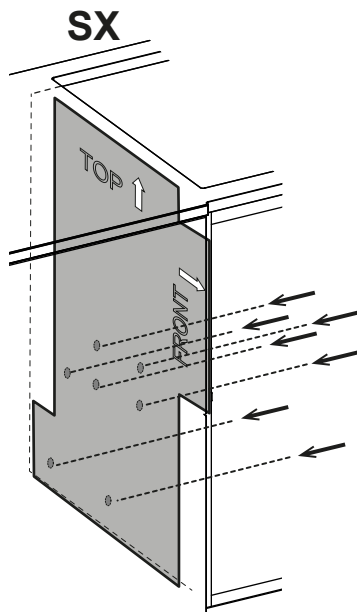
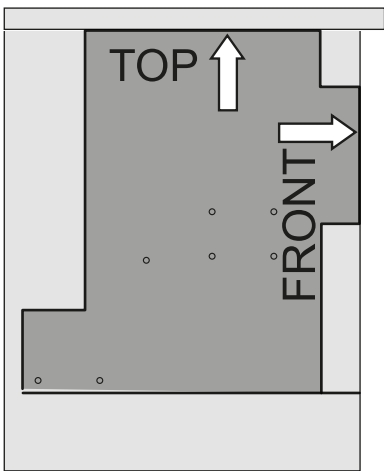
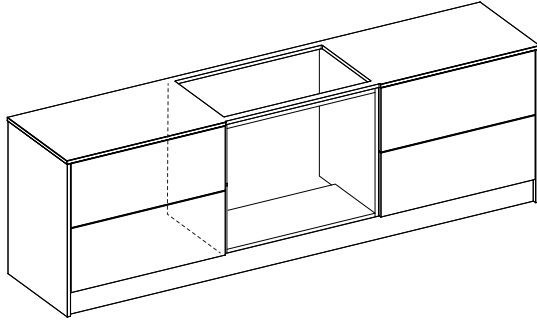
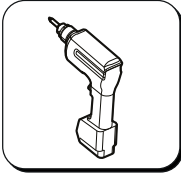
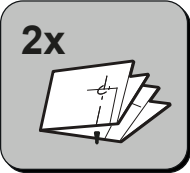
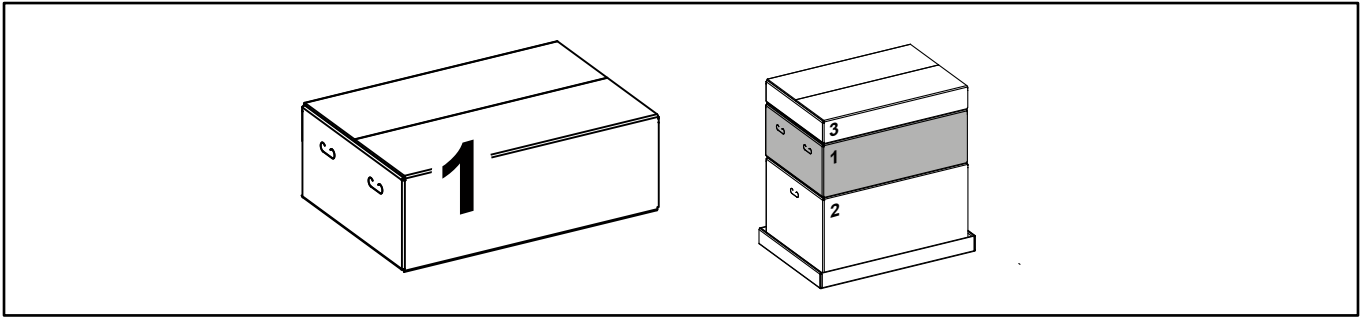
**M3**  **FLUSH**



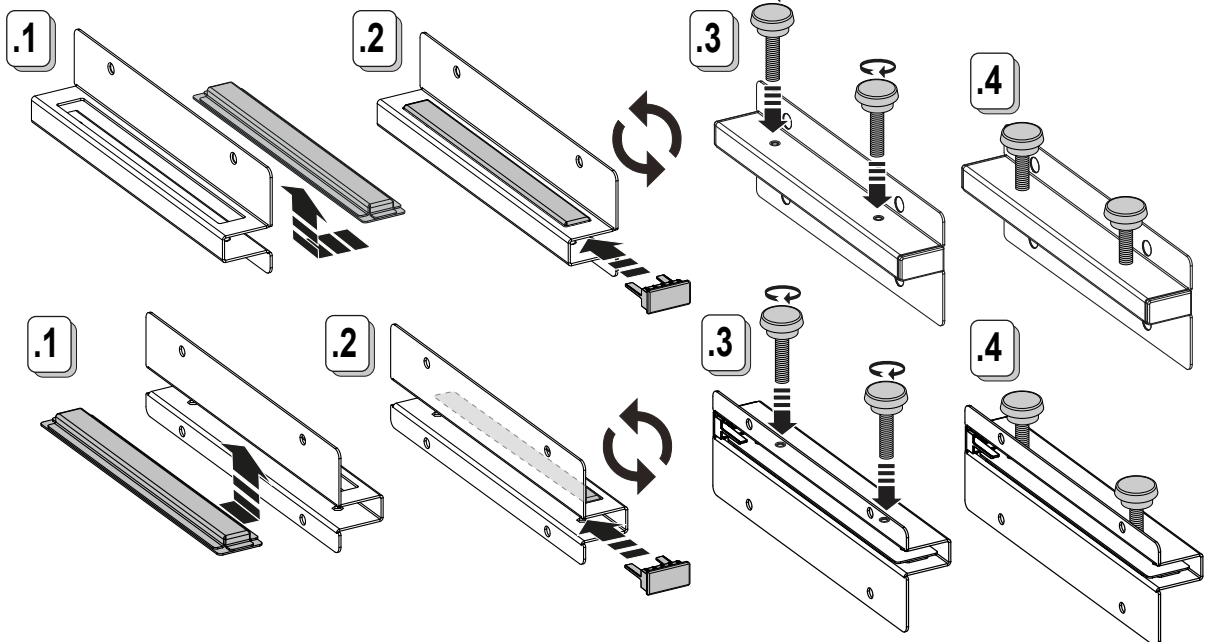
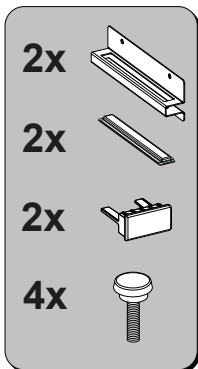
**3.5**



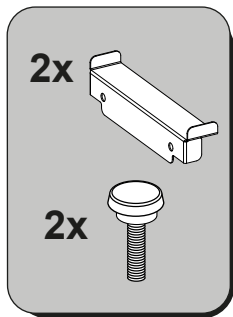




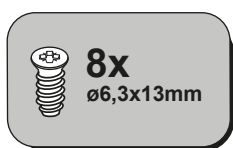
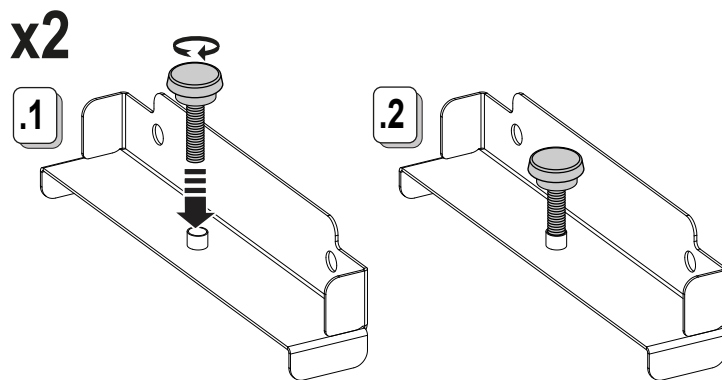
4



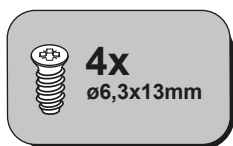
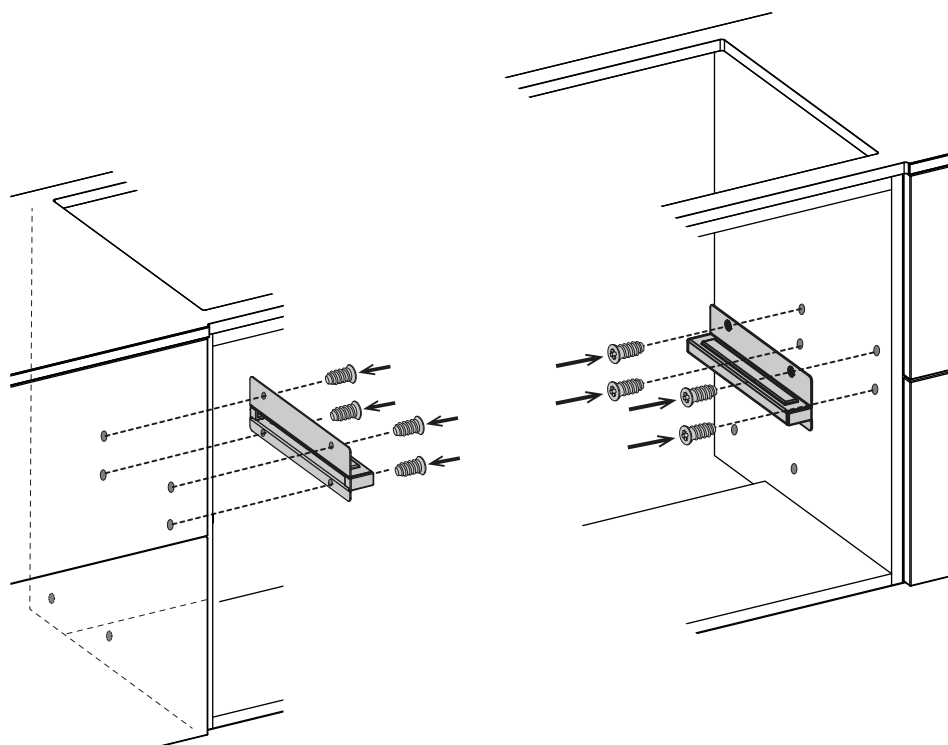
5



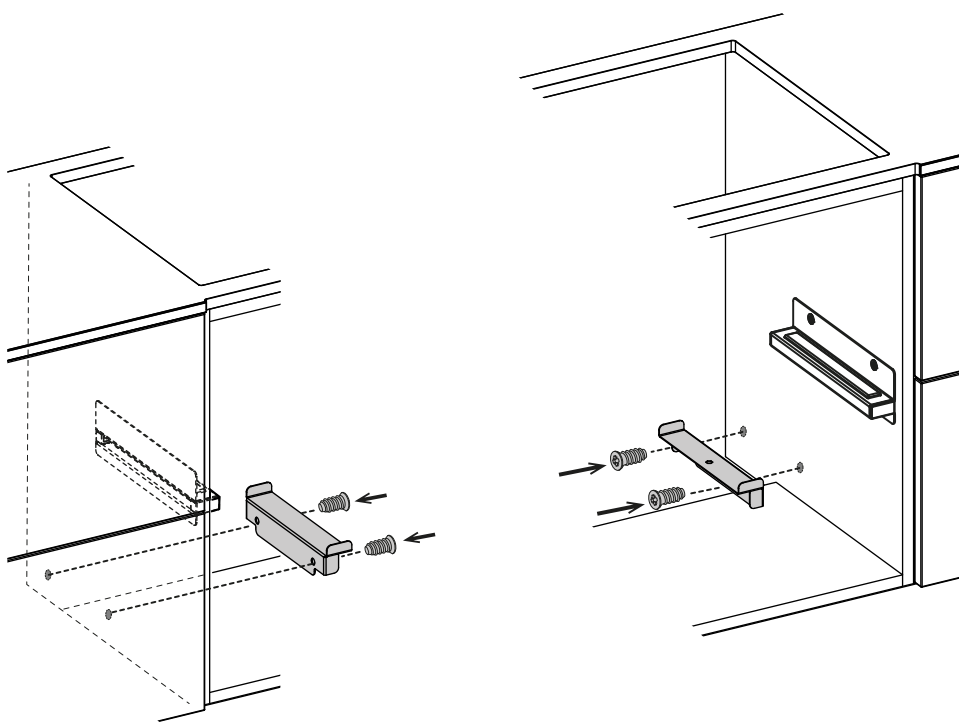
6

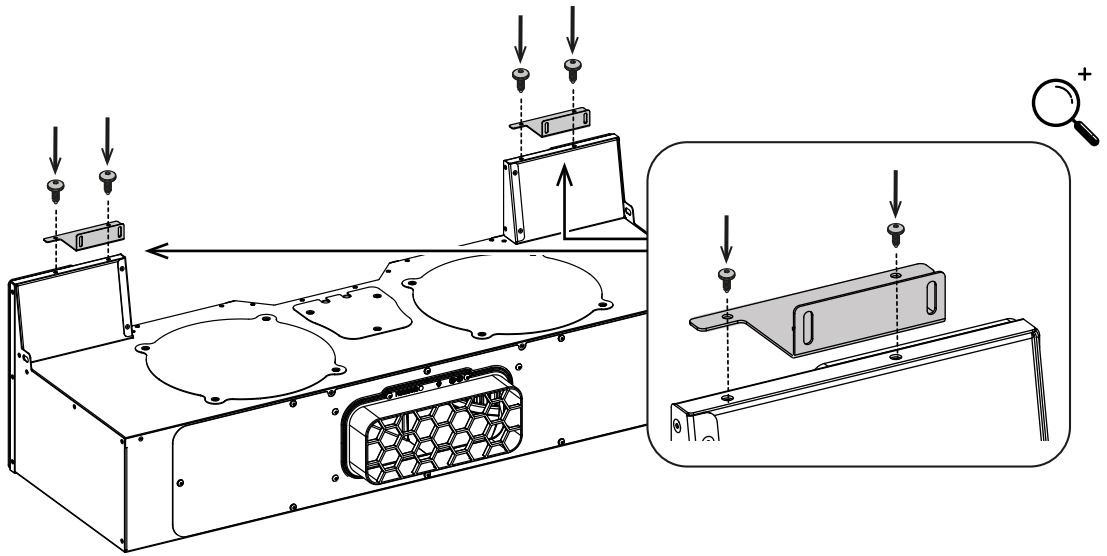
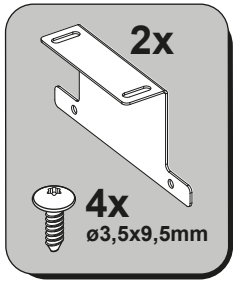


7

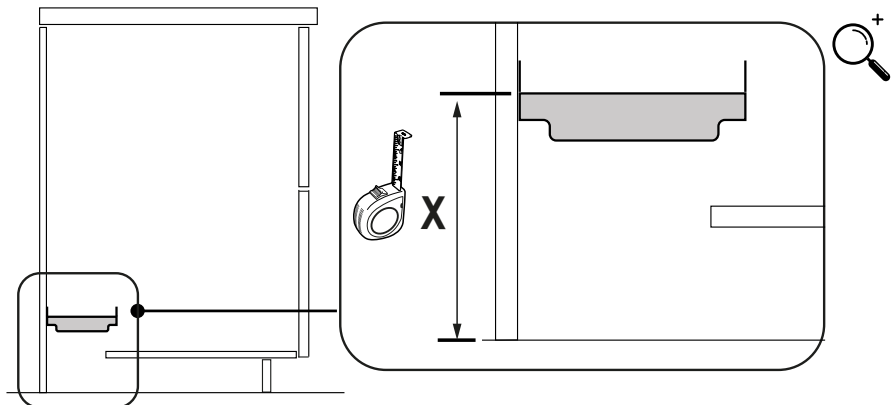
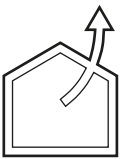


8

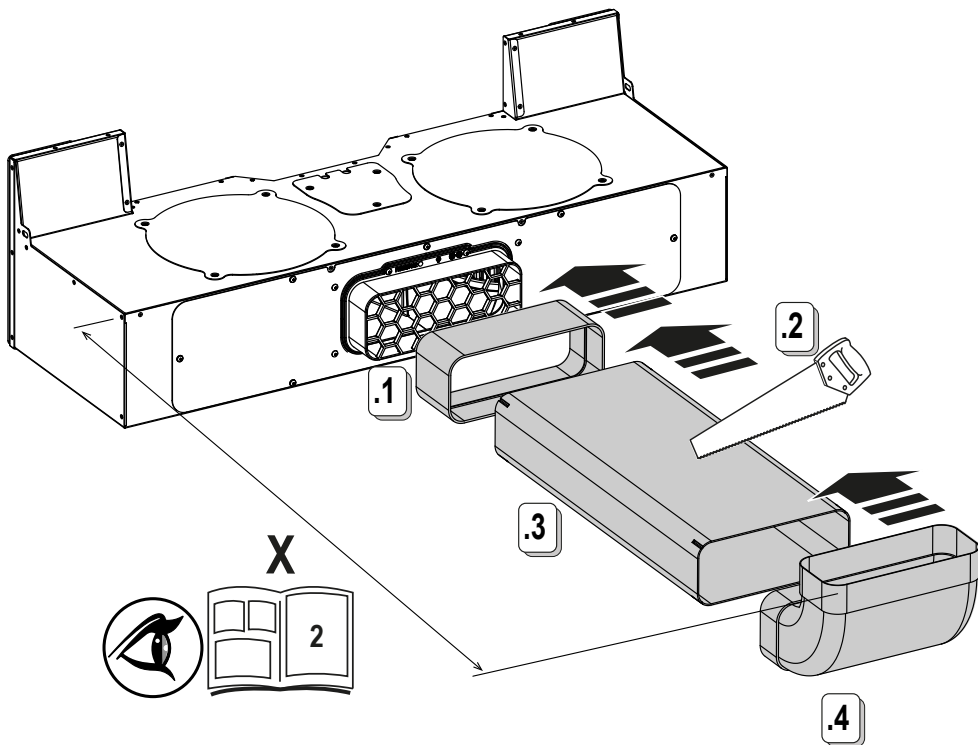




9



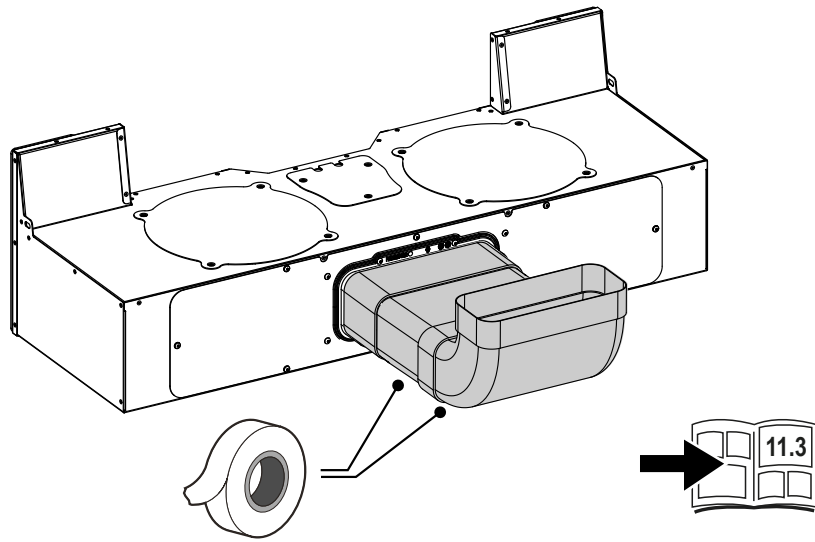
10



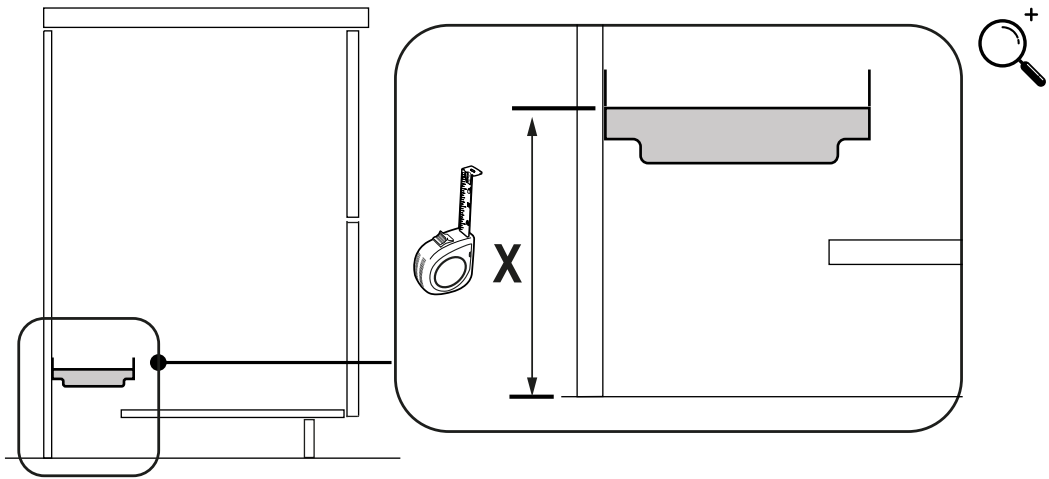
10.1



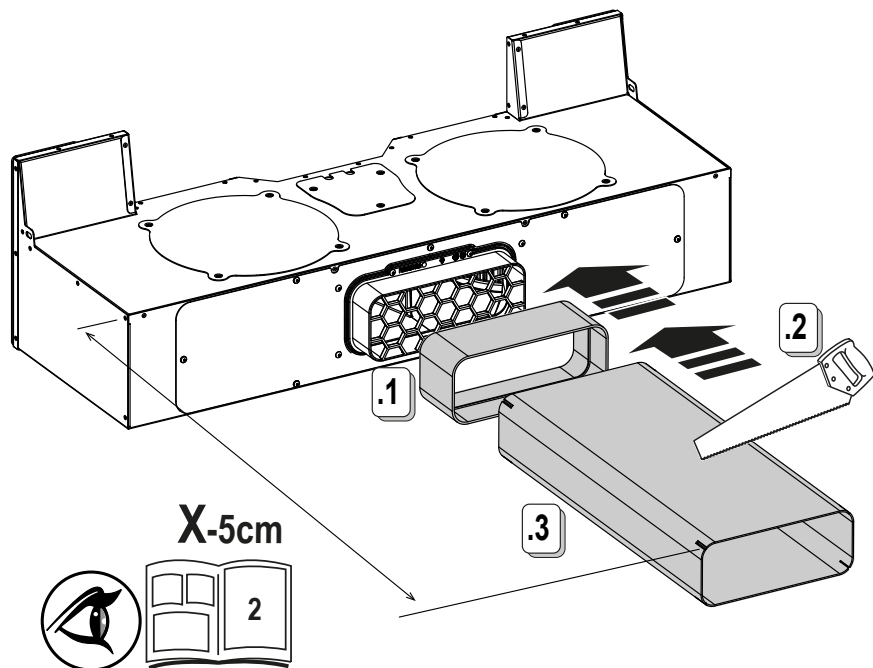
10.2

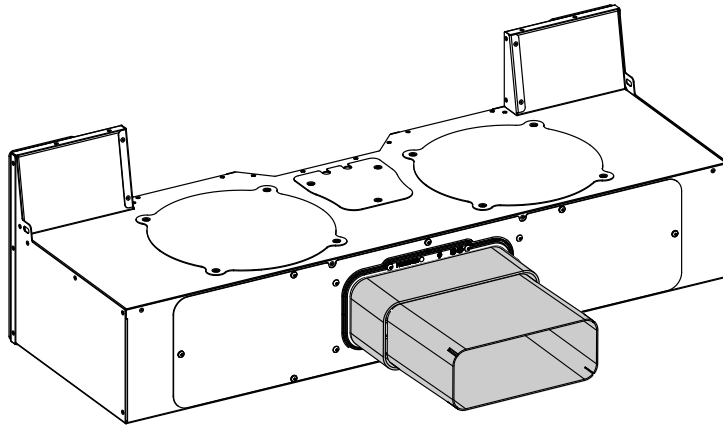


11

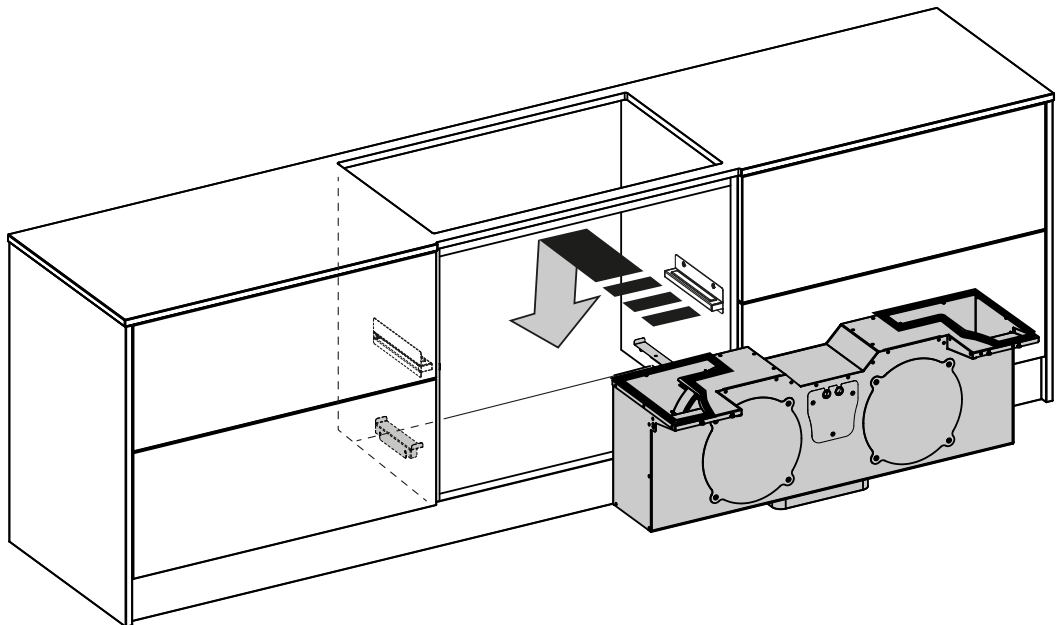


11.1

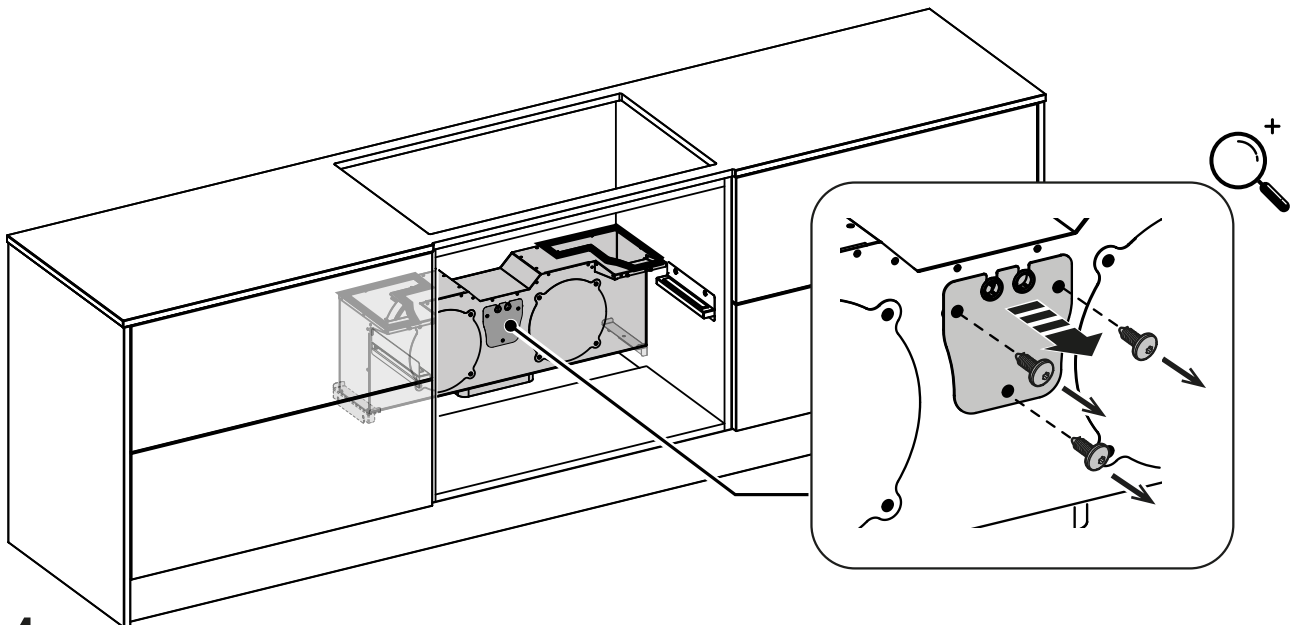




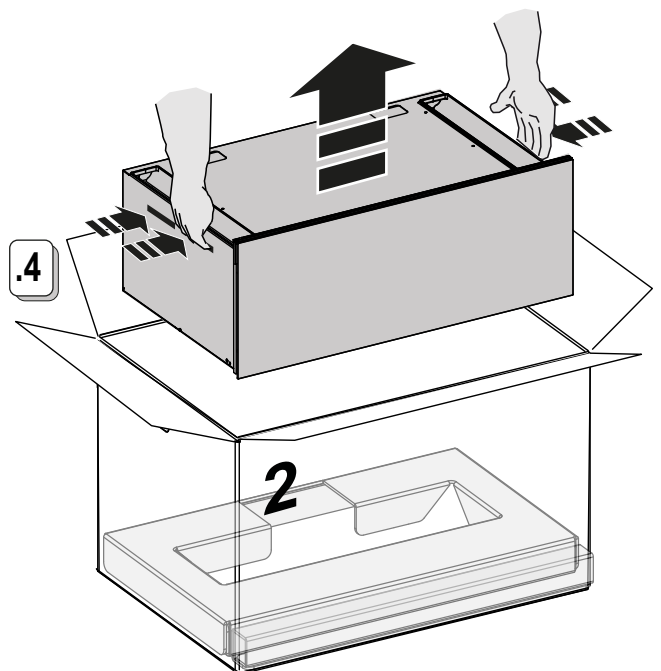
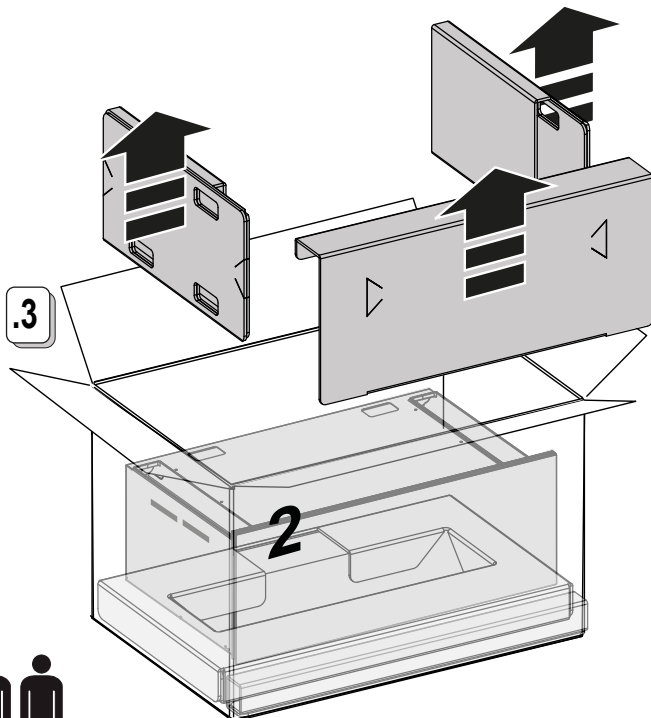
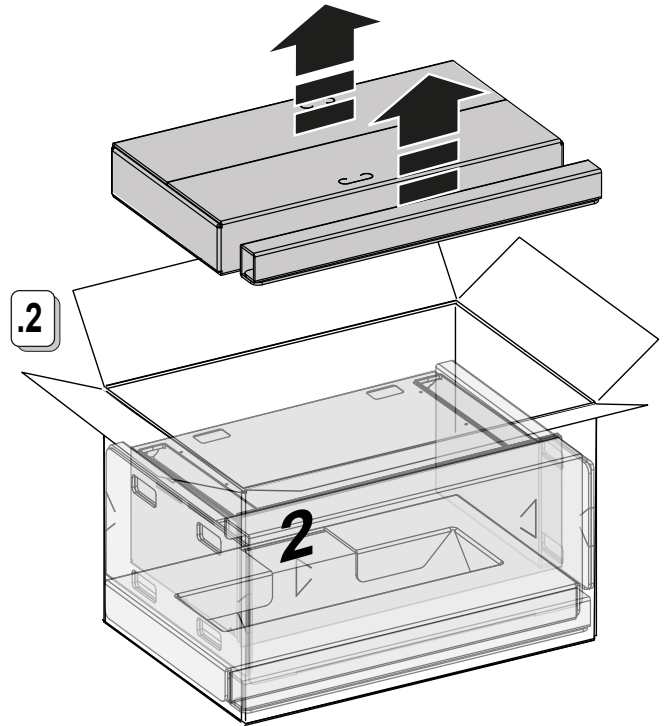
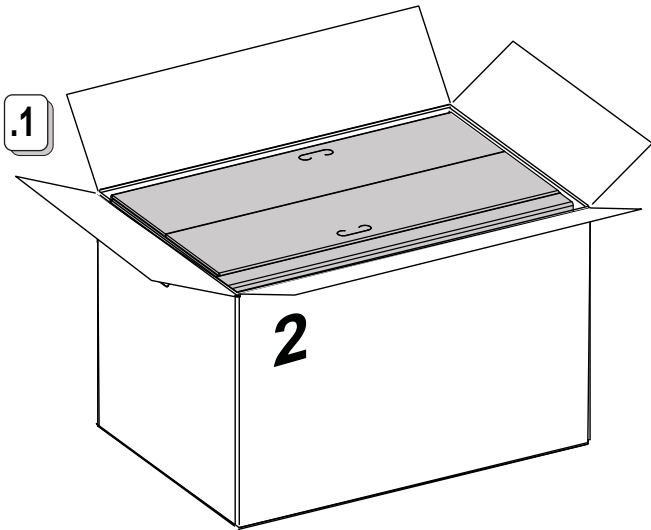
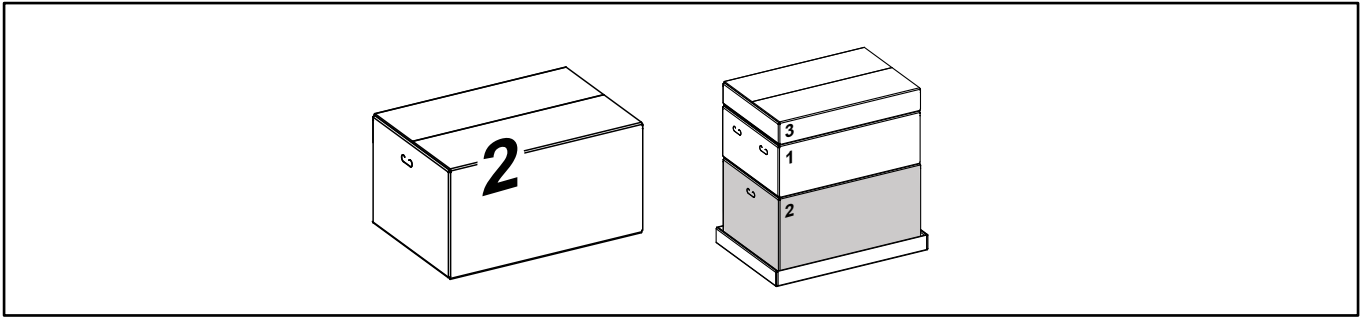
11.2



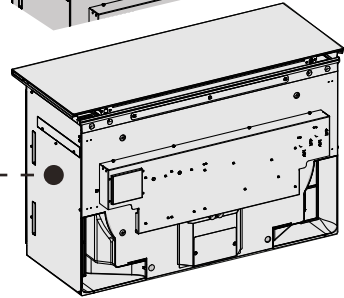
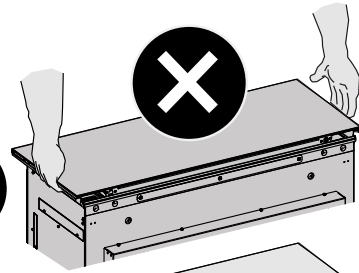
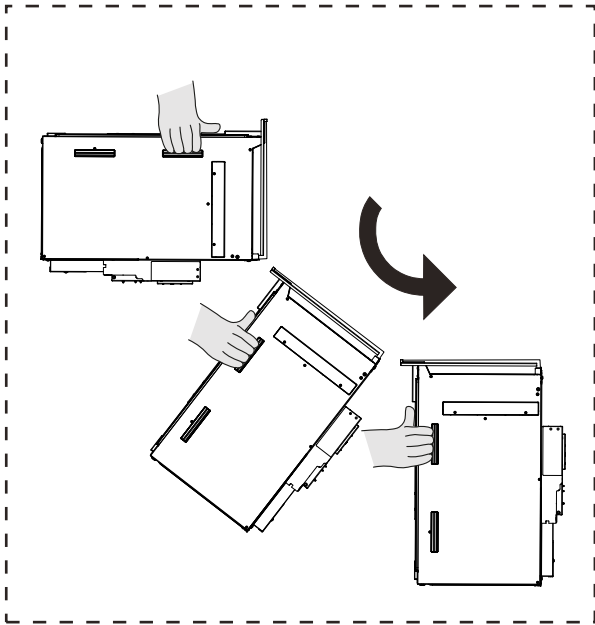
11.3



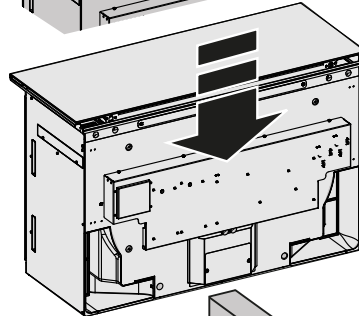
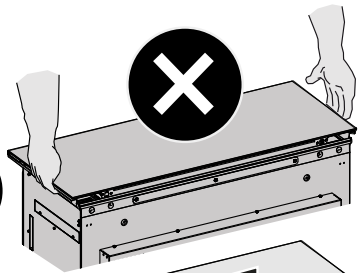
11.4



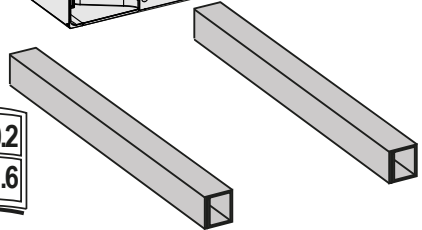
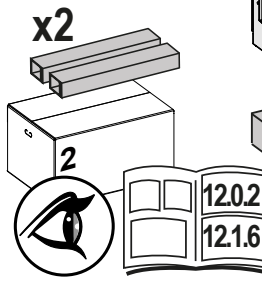
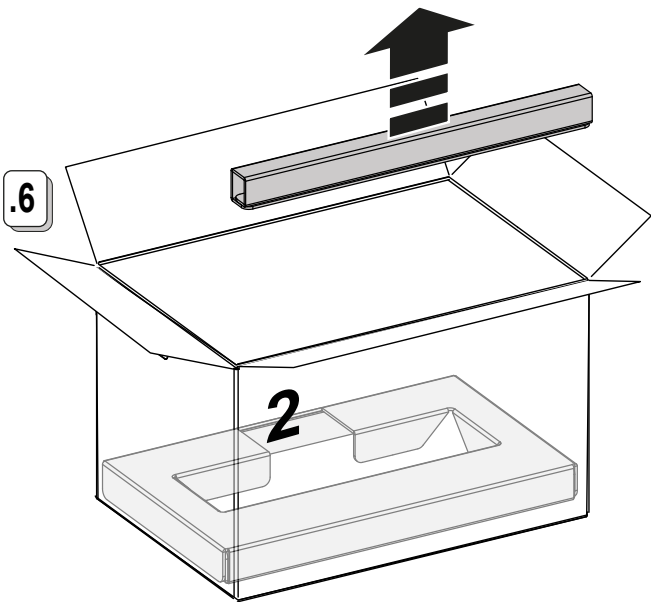
.5



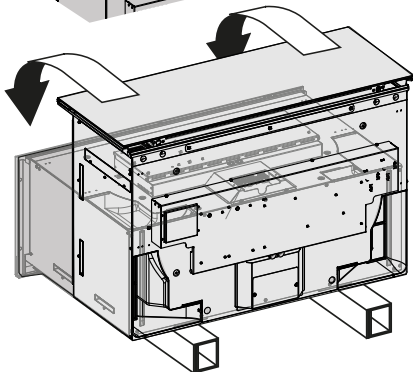
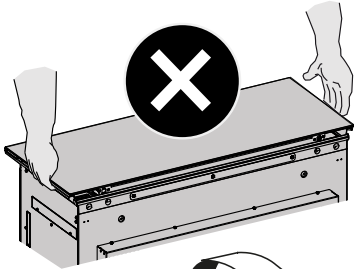
.7



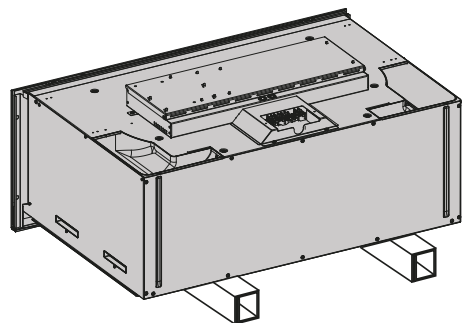
.6



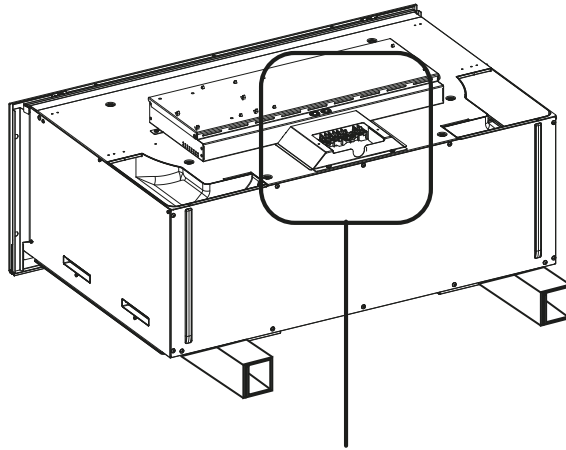
.8



.9

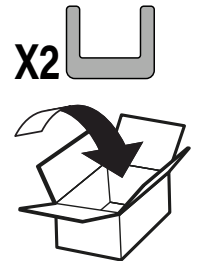
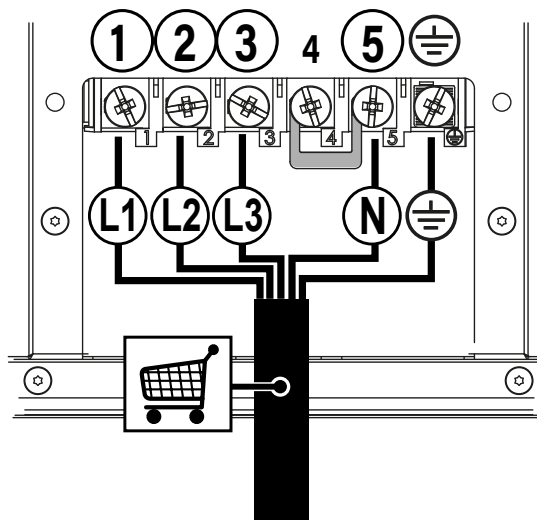
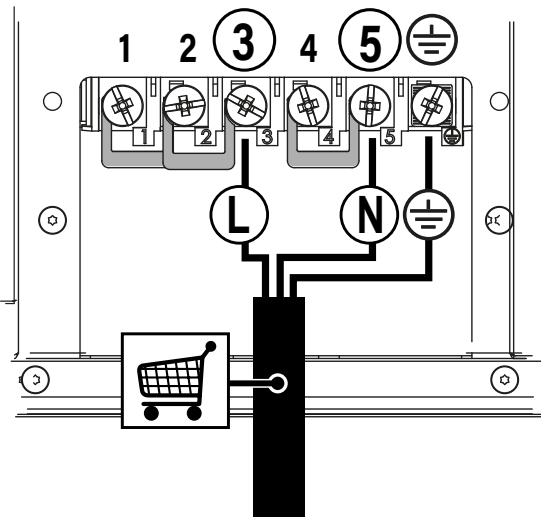


  
 12.1

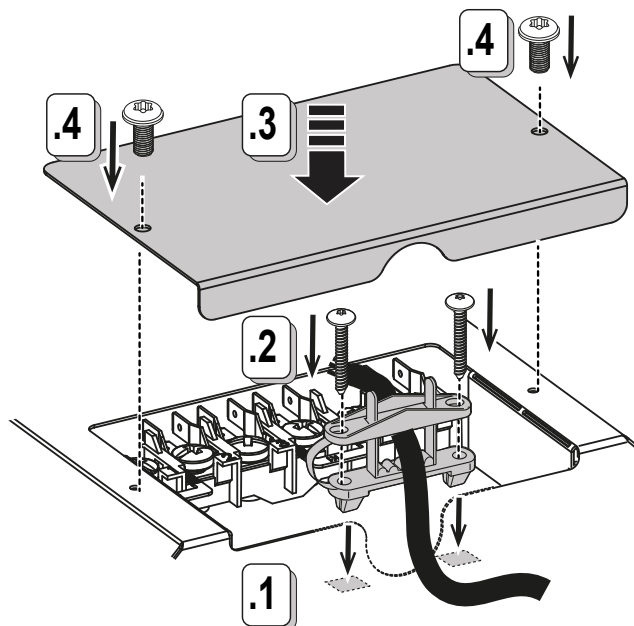
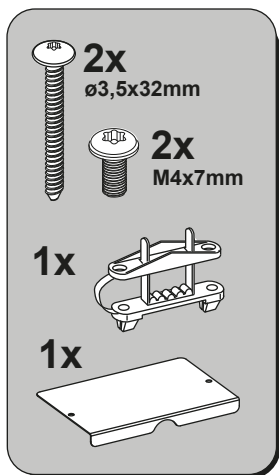


220-230V 1N

380-400V 3N

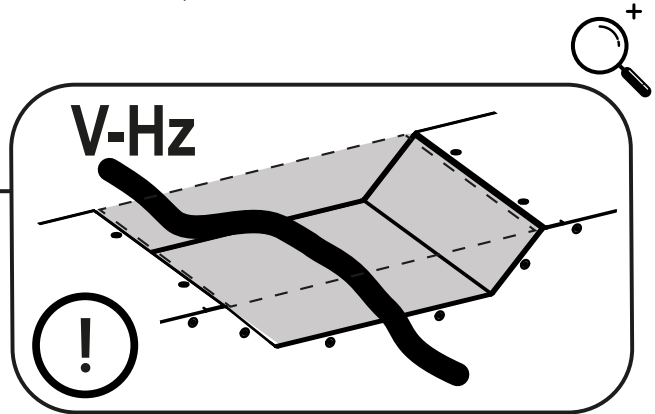
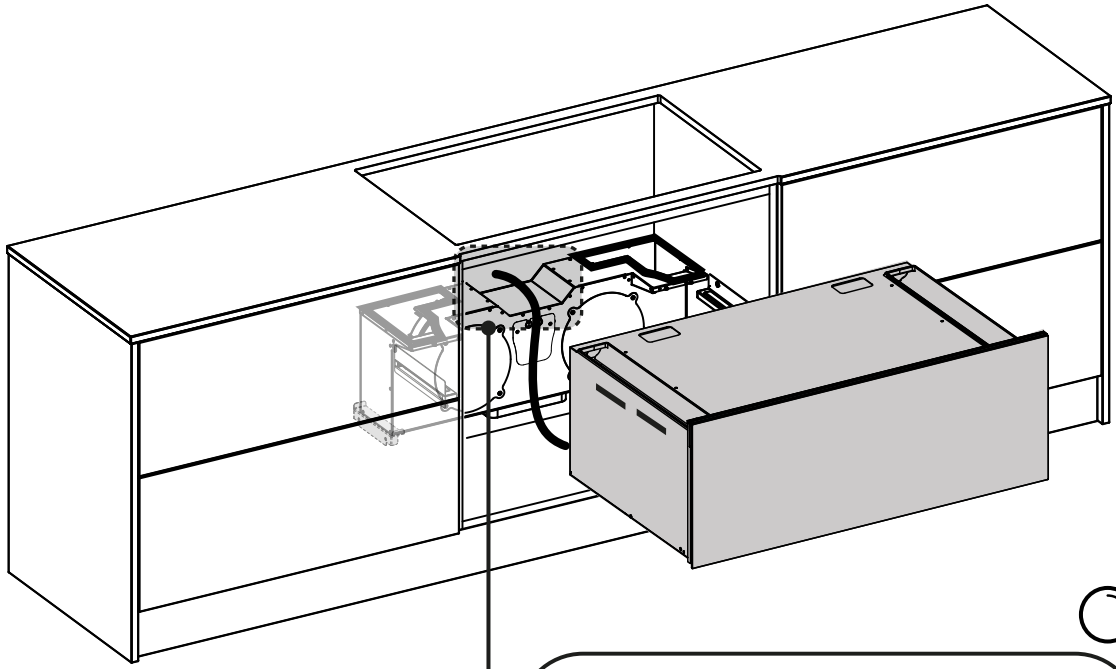


# 13

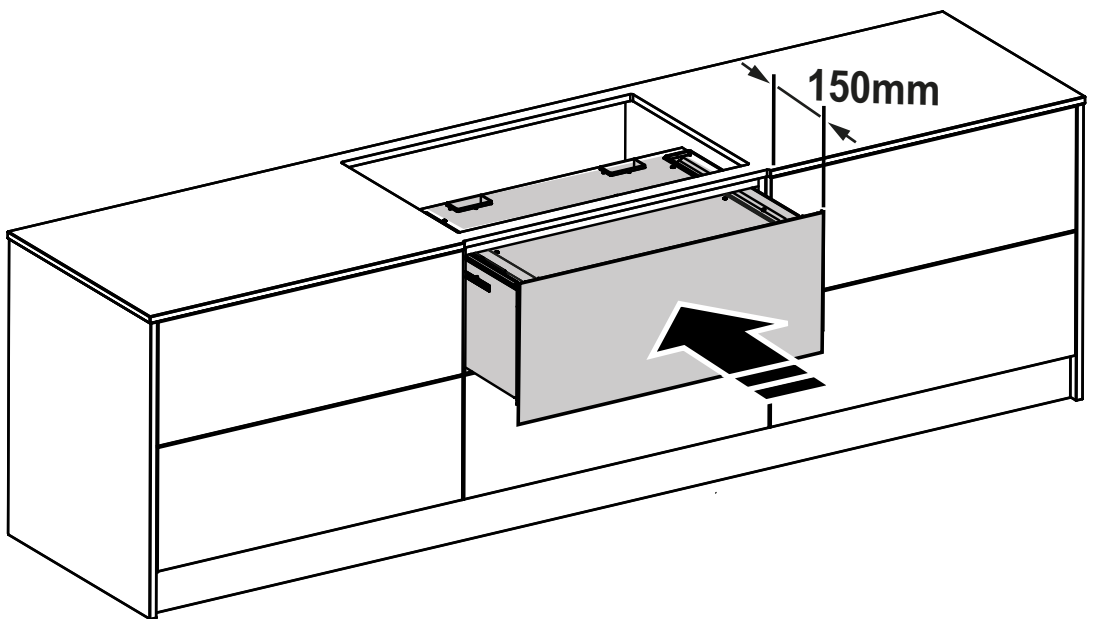


# 13.1

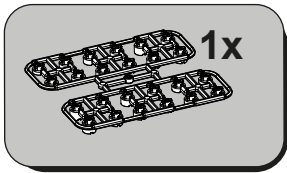




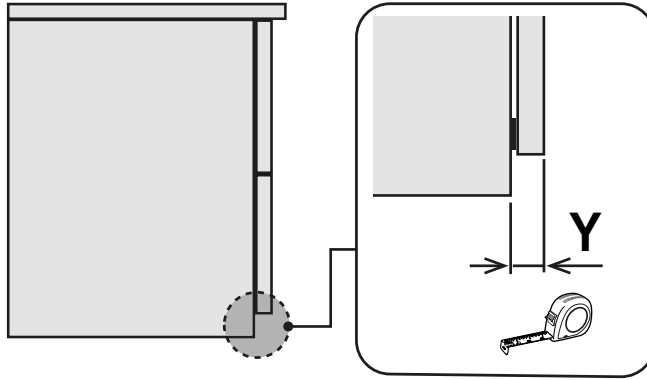
14



14.1

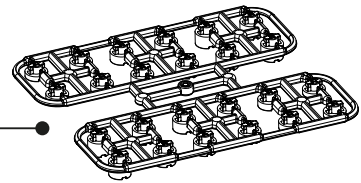


.1

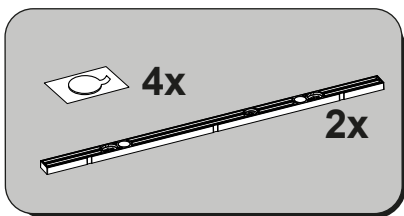


.2

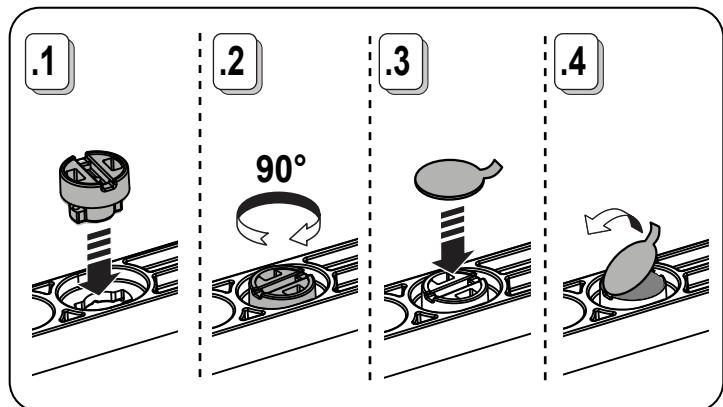
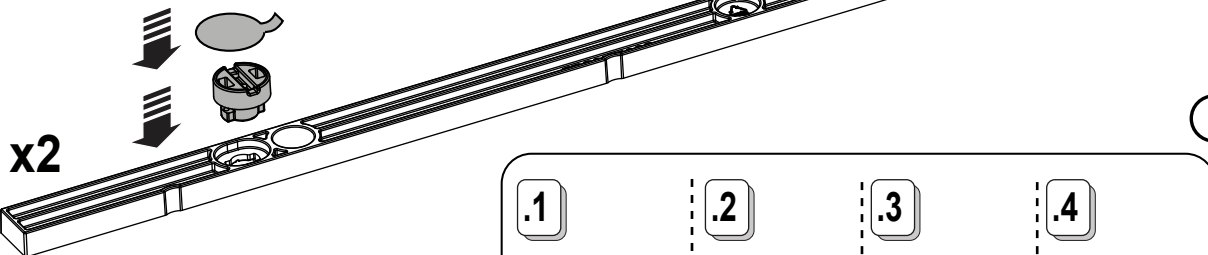
	Y = 22mm	x4		22
	Y = 23mm	x4		23
	Y = 24mm	x4		24
	Y = 25mm	x4		25
	Y = 26mm	x4		26



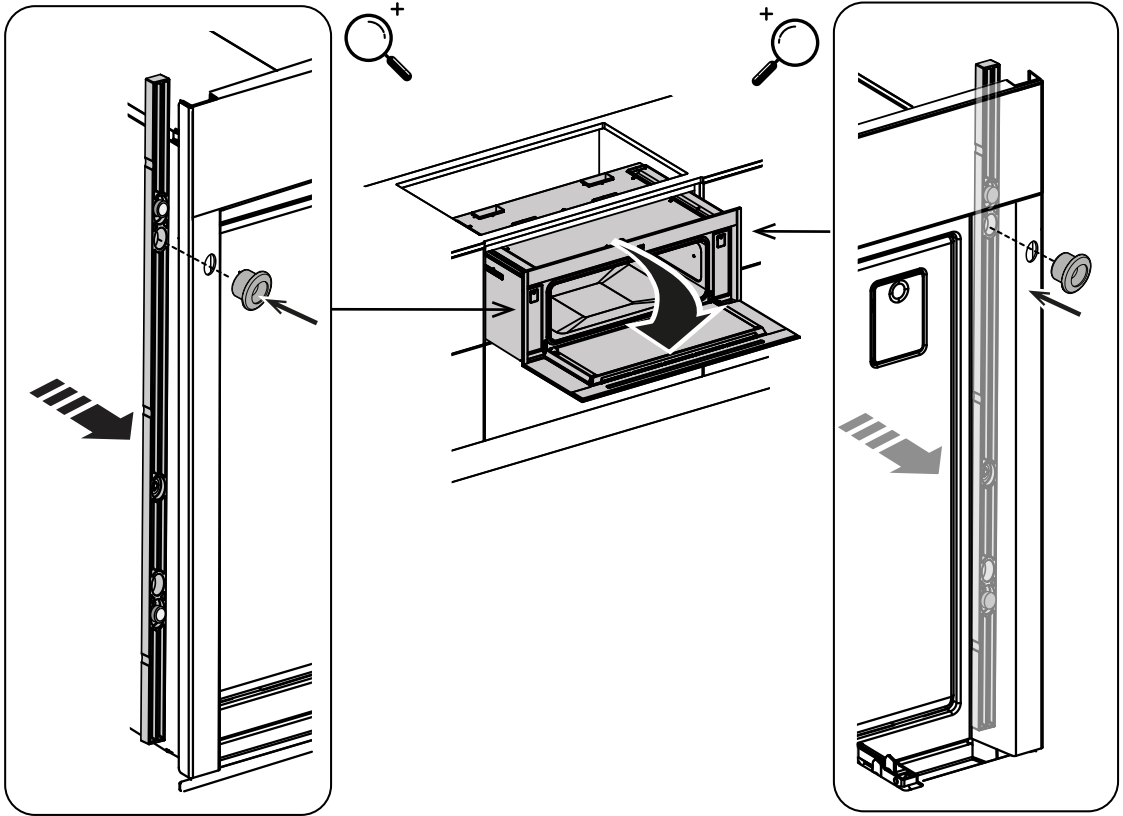
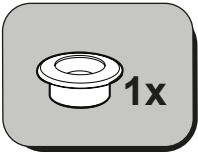
## 14.2



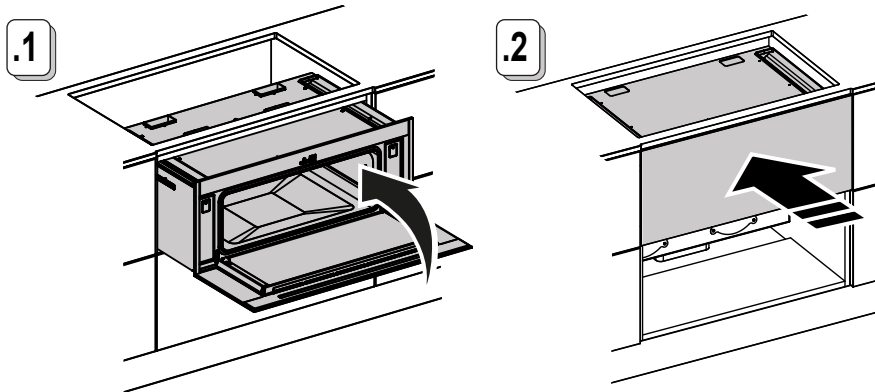
! FRONT



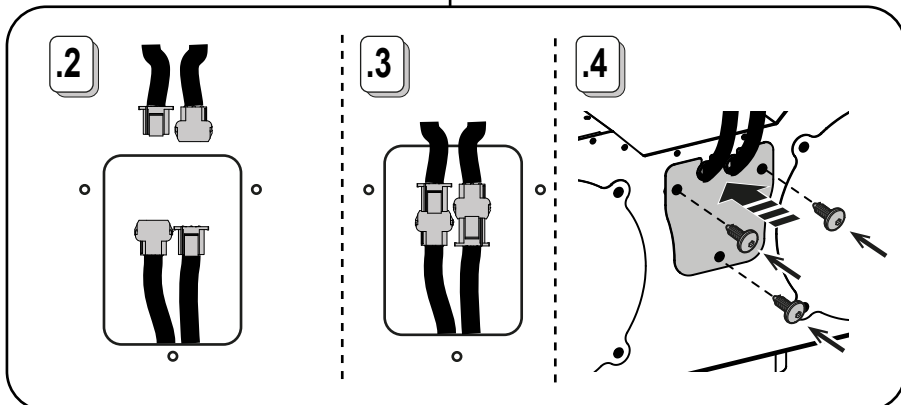
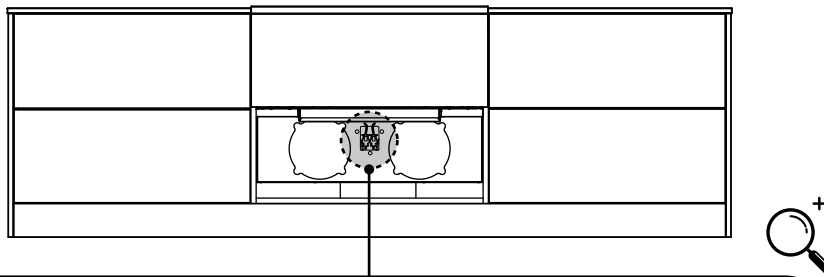
## 14.3



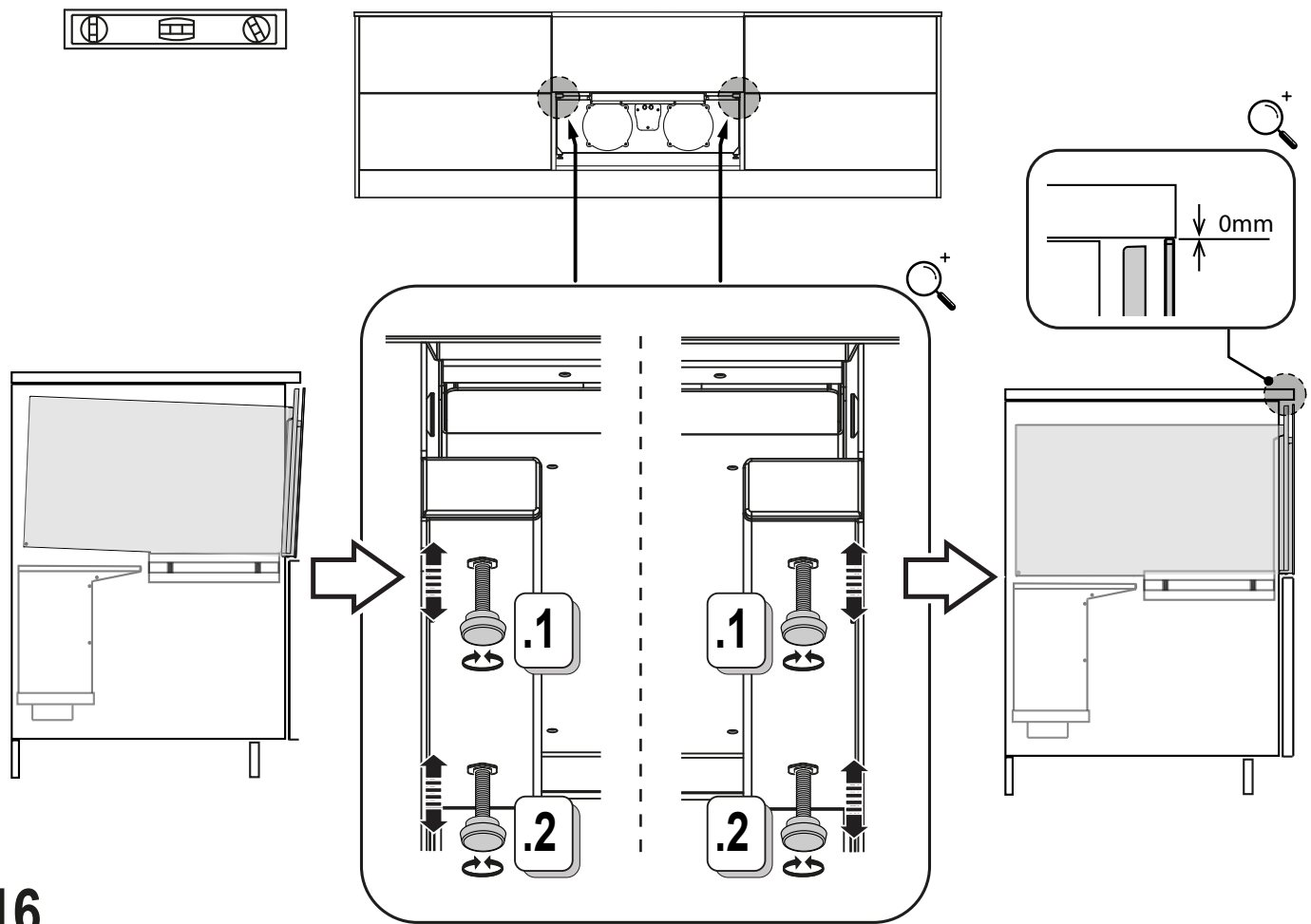
14.4



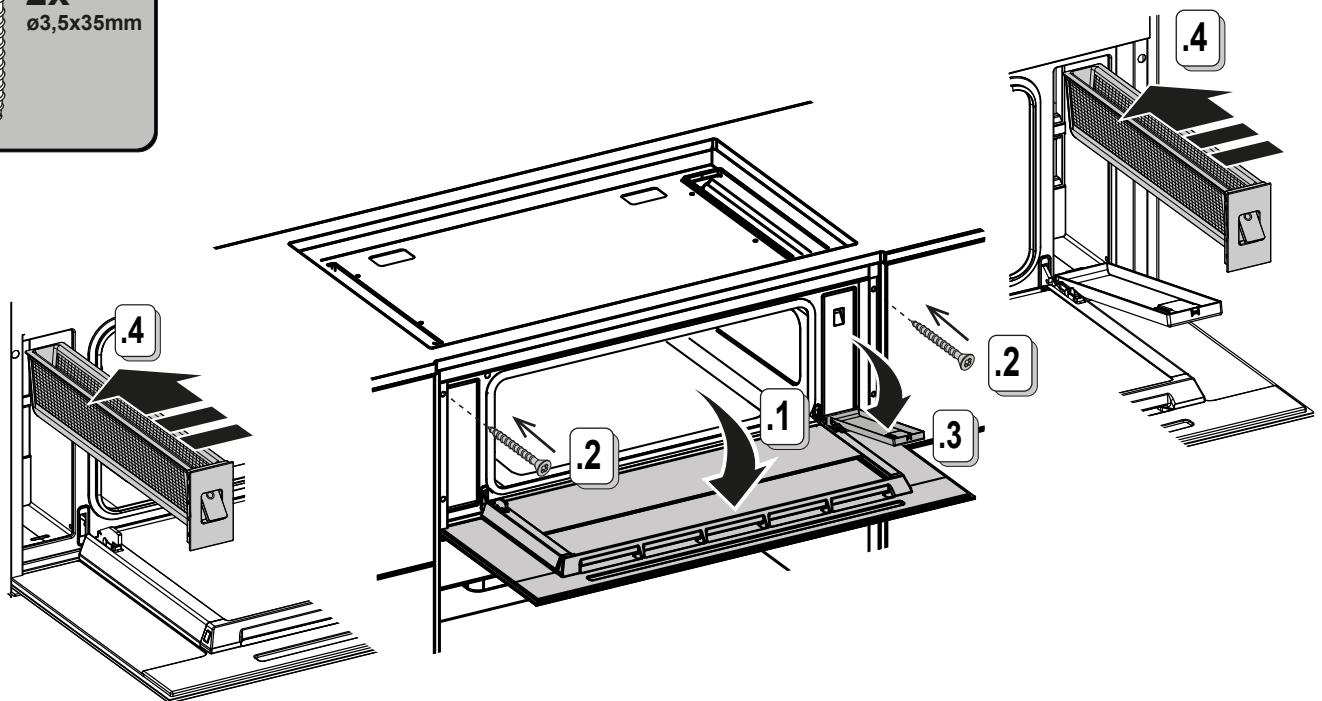
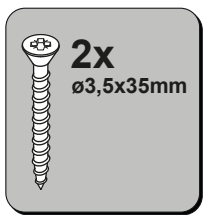
14.5



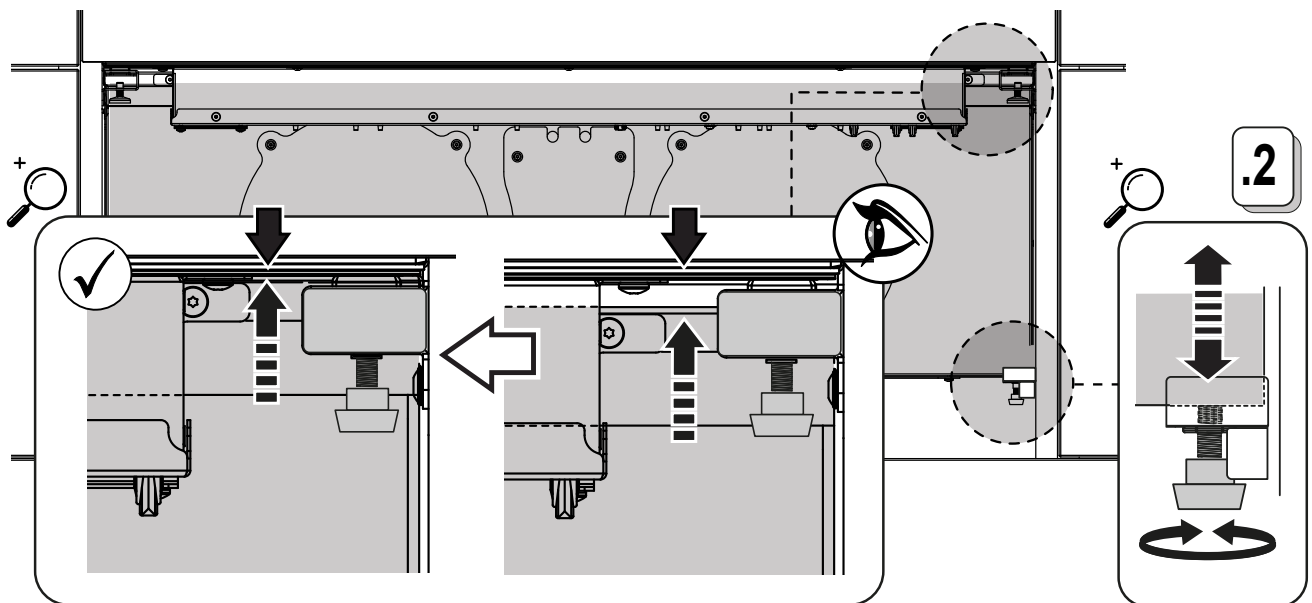
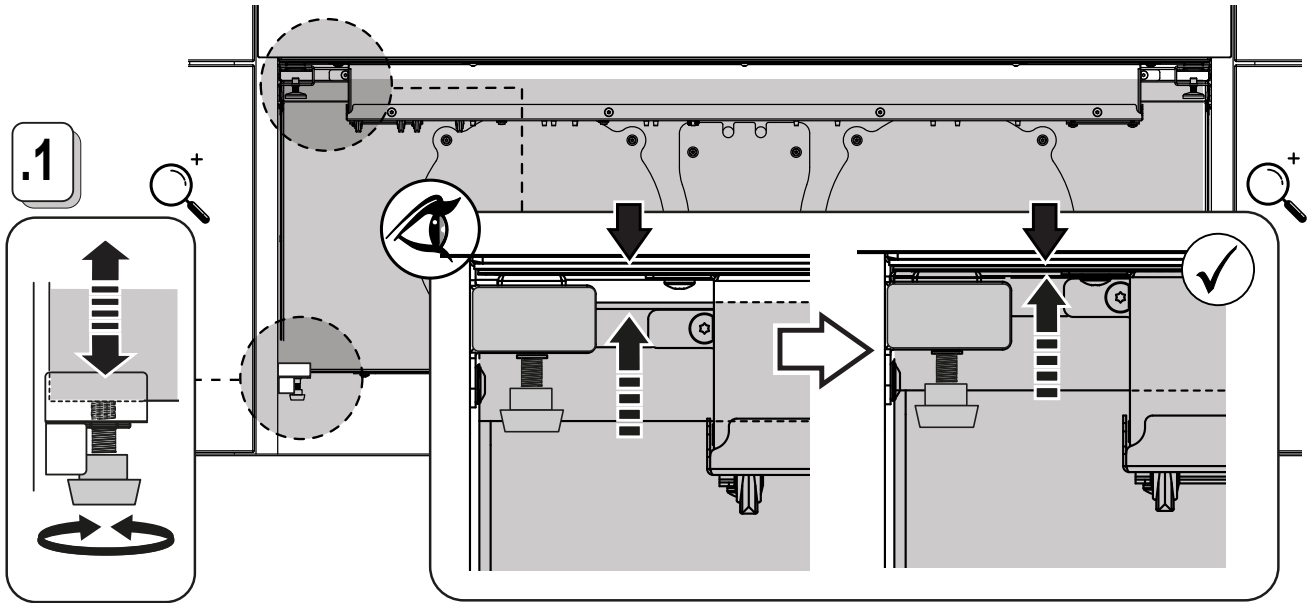
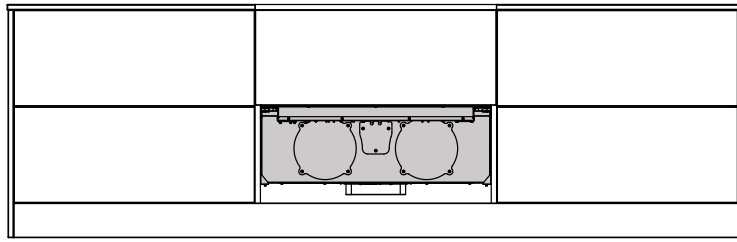
15

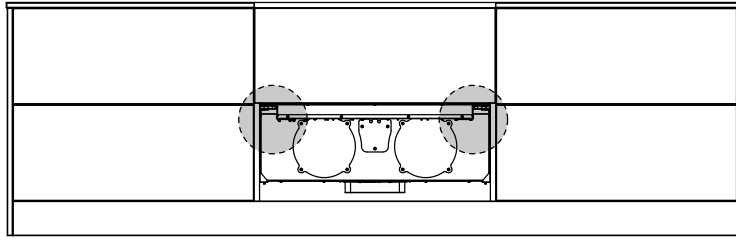
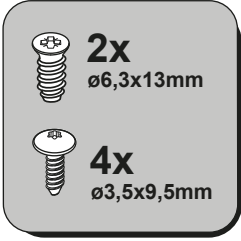


16

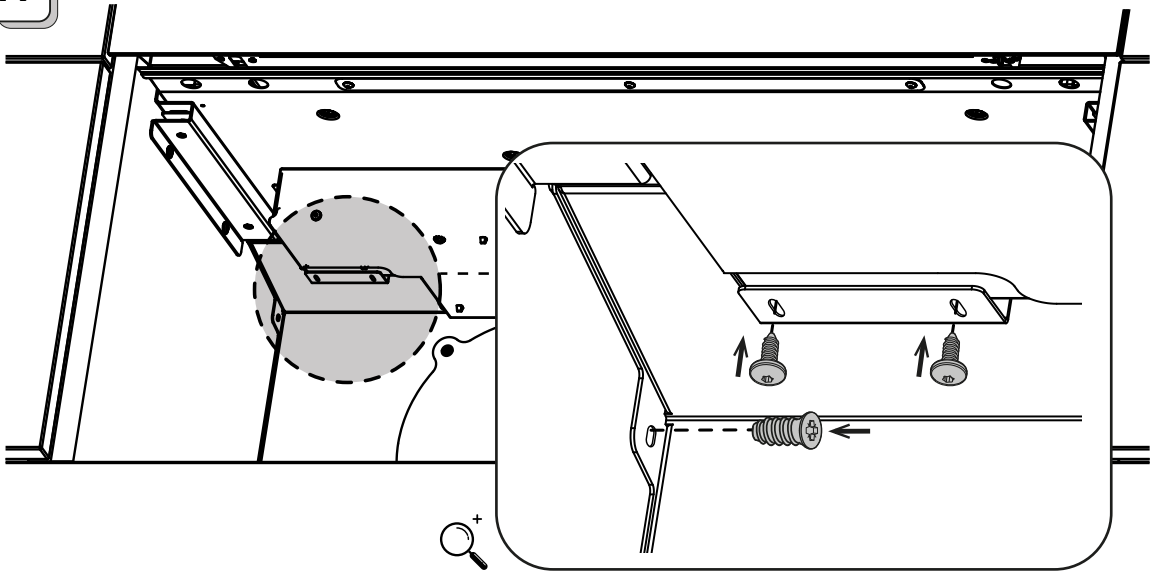


17

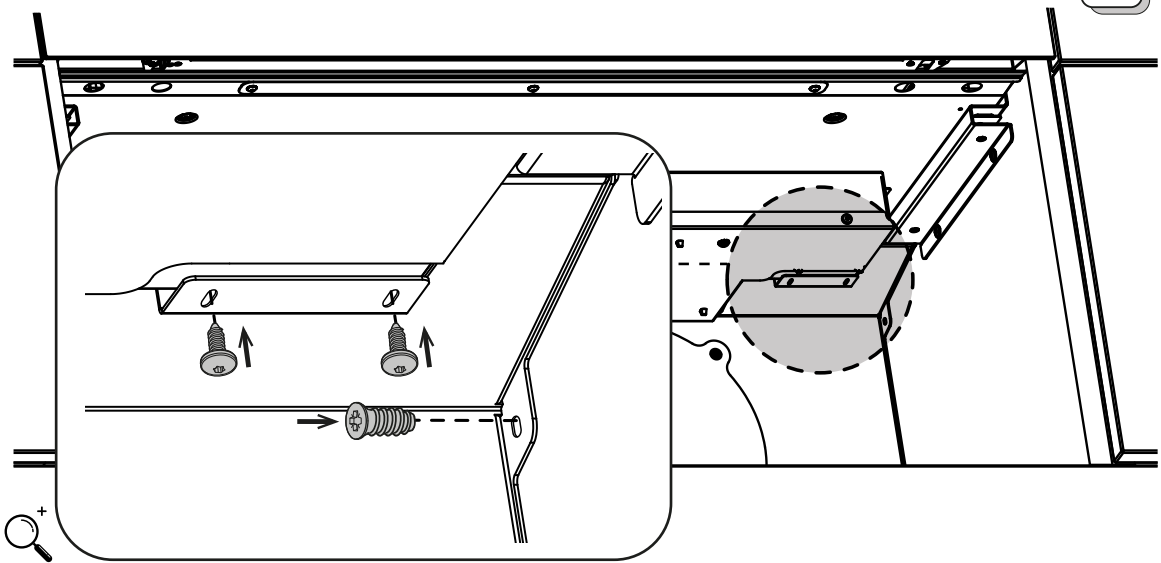


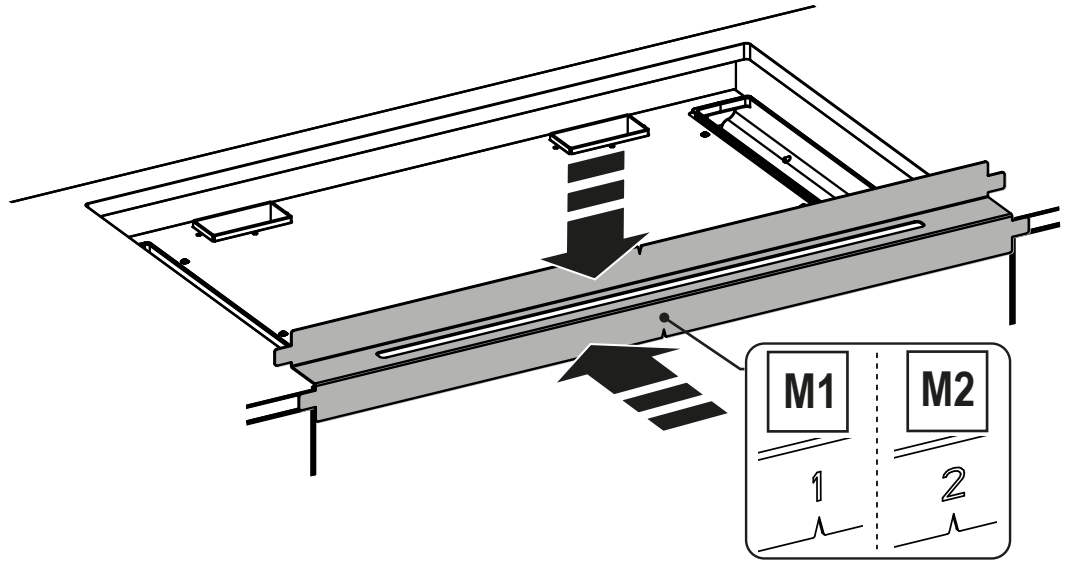
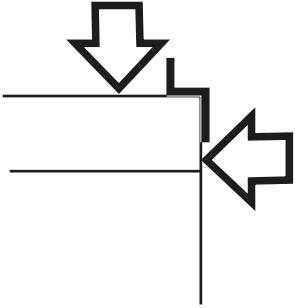
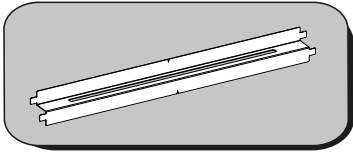
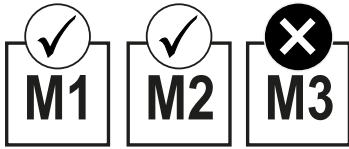


.1

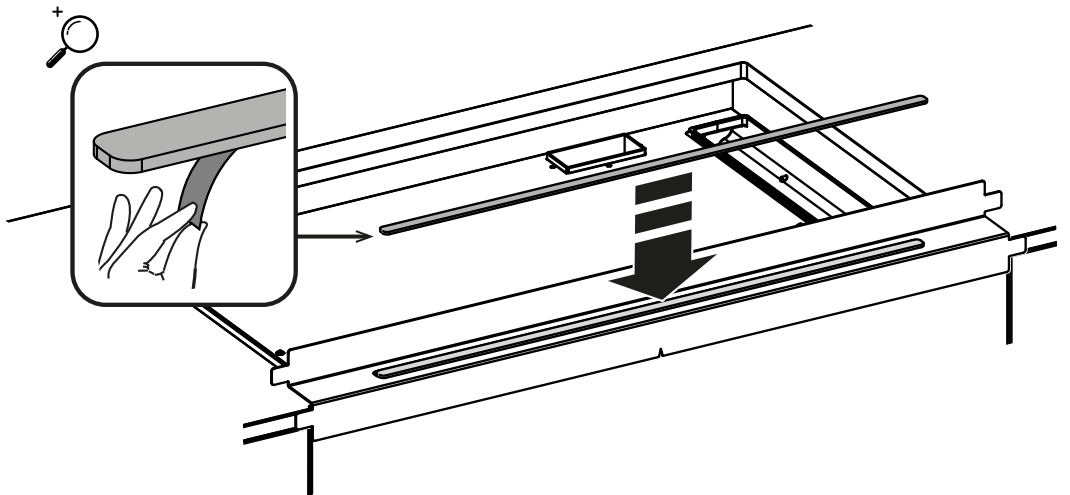
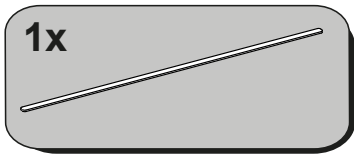


.2

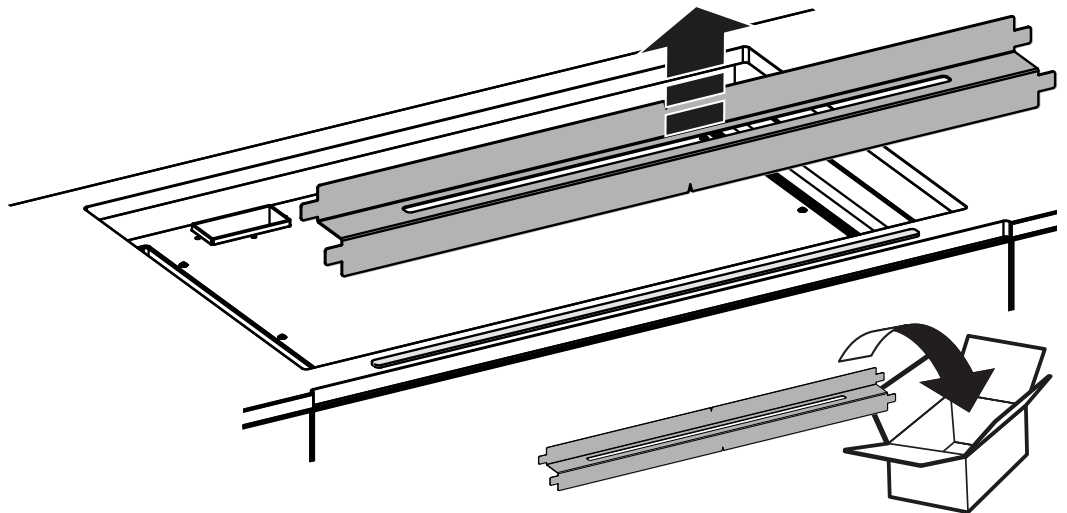




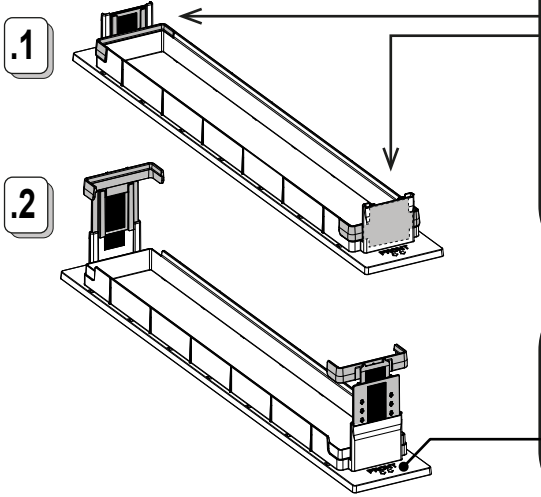
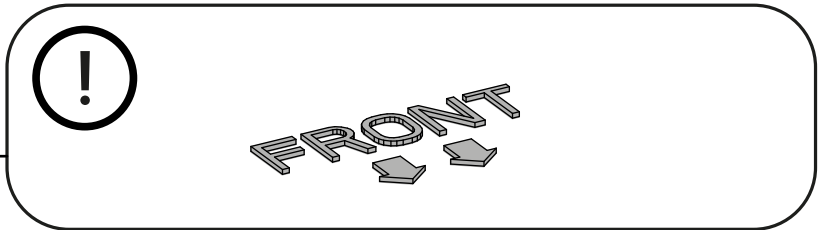
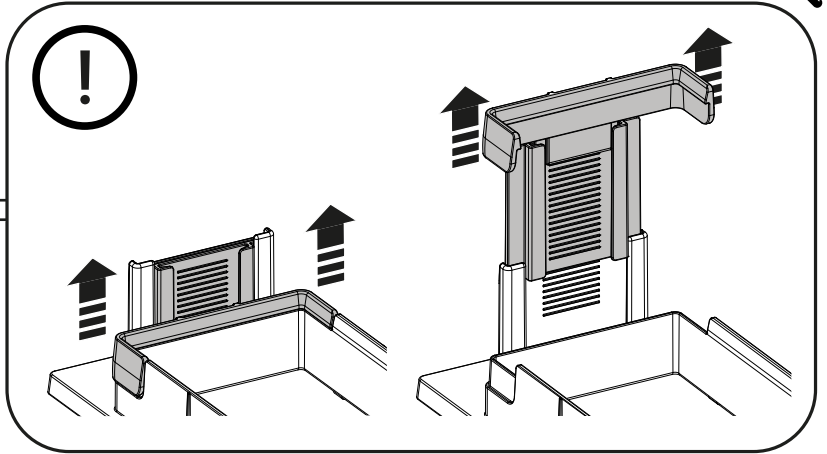
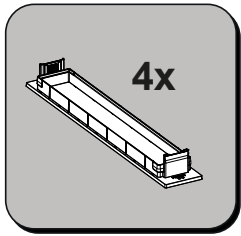
20



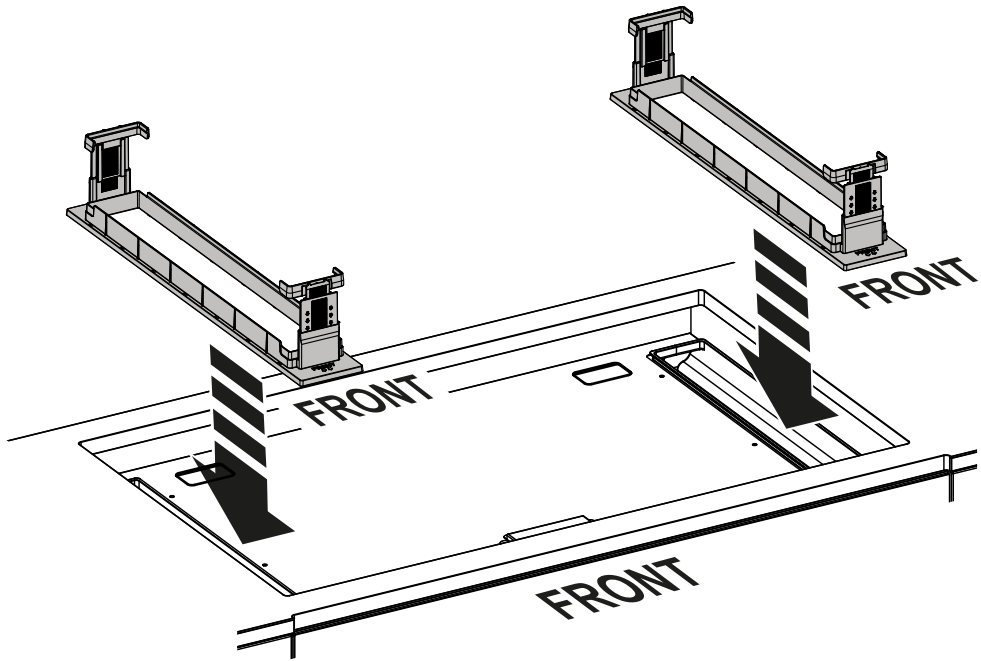
20.1



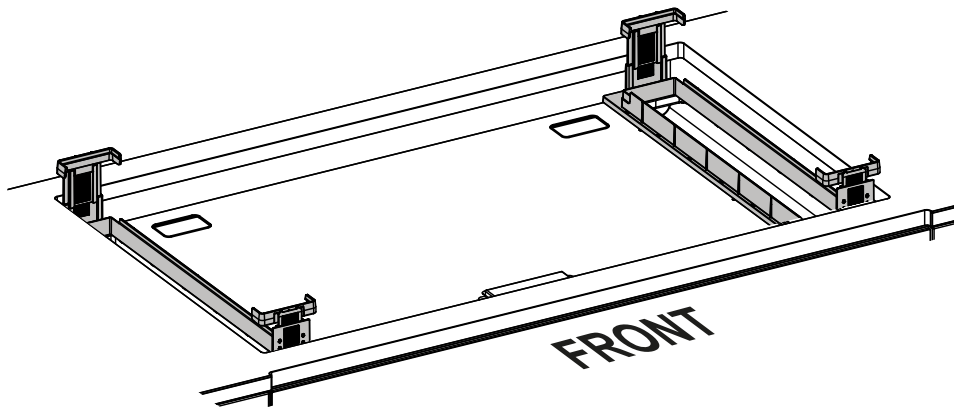
20.2



21

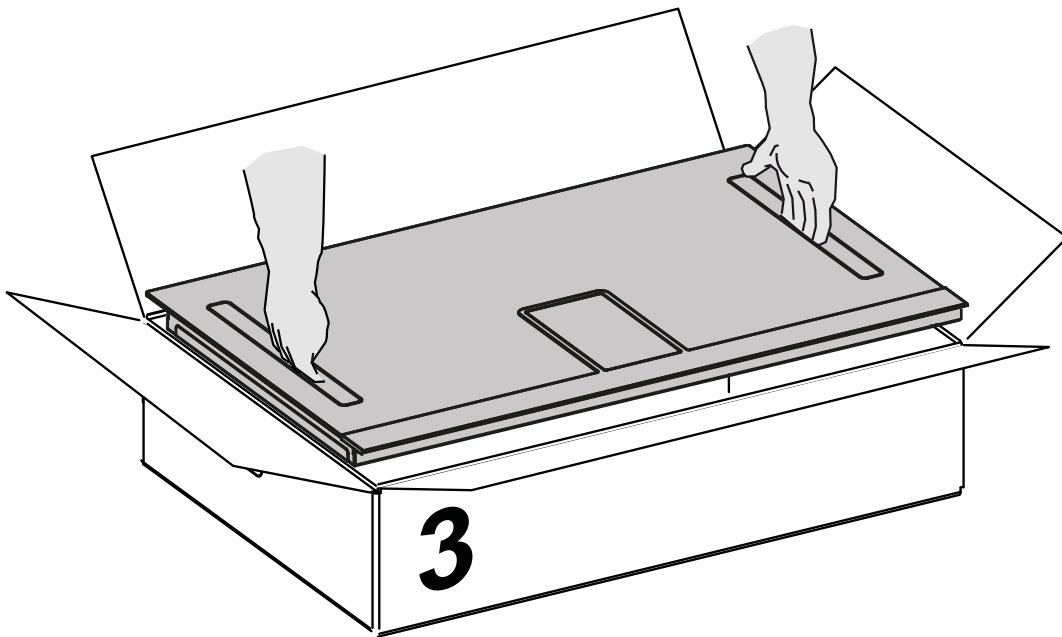
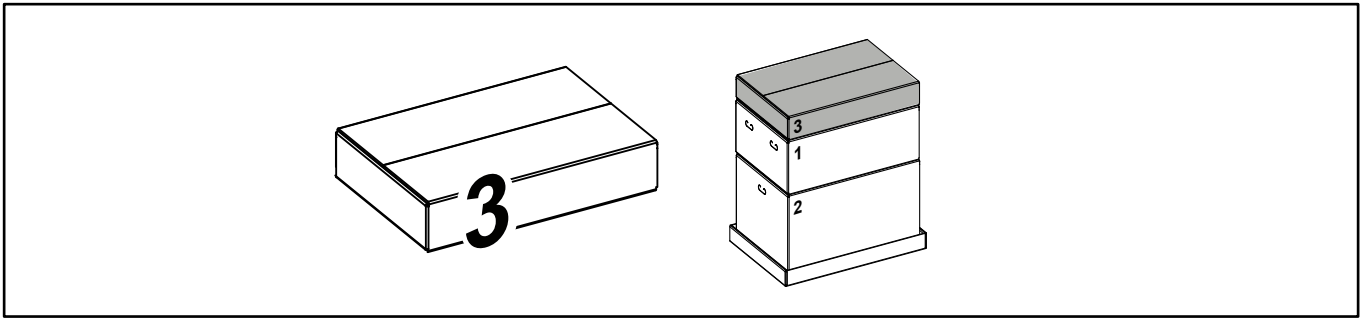


21.1

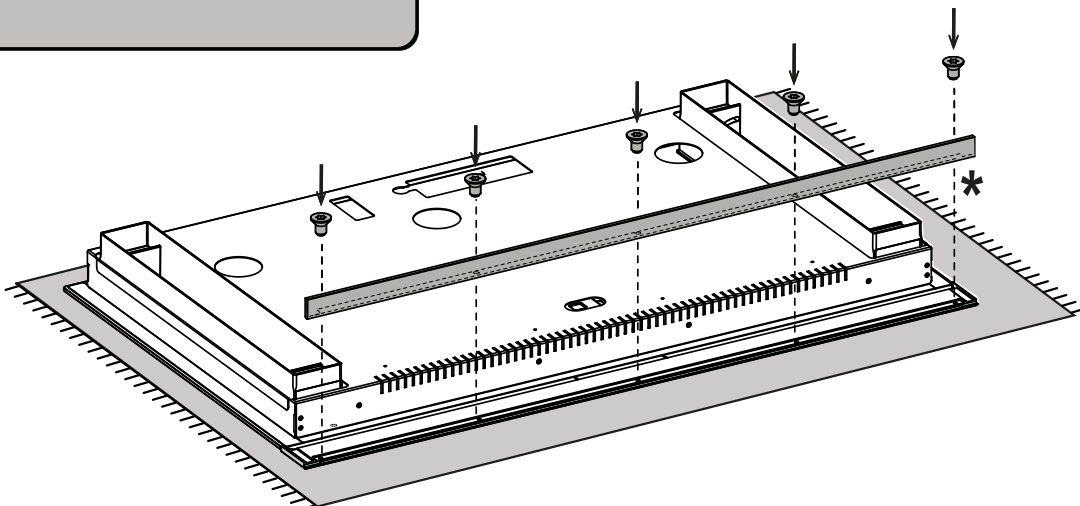
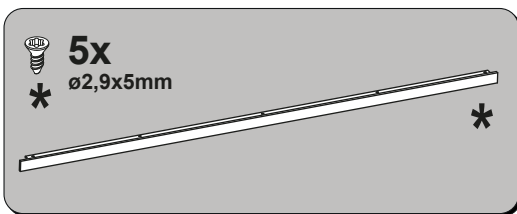


21.2





22

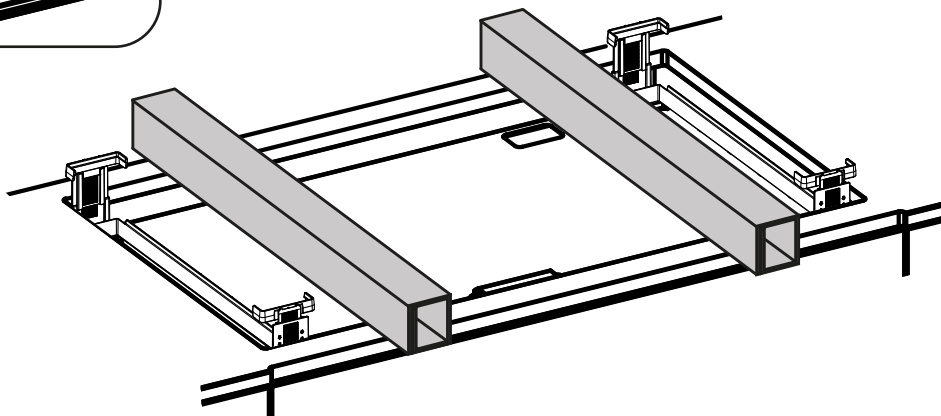
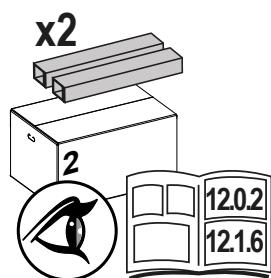
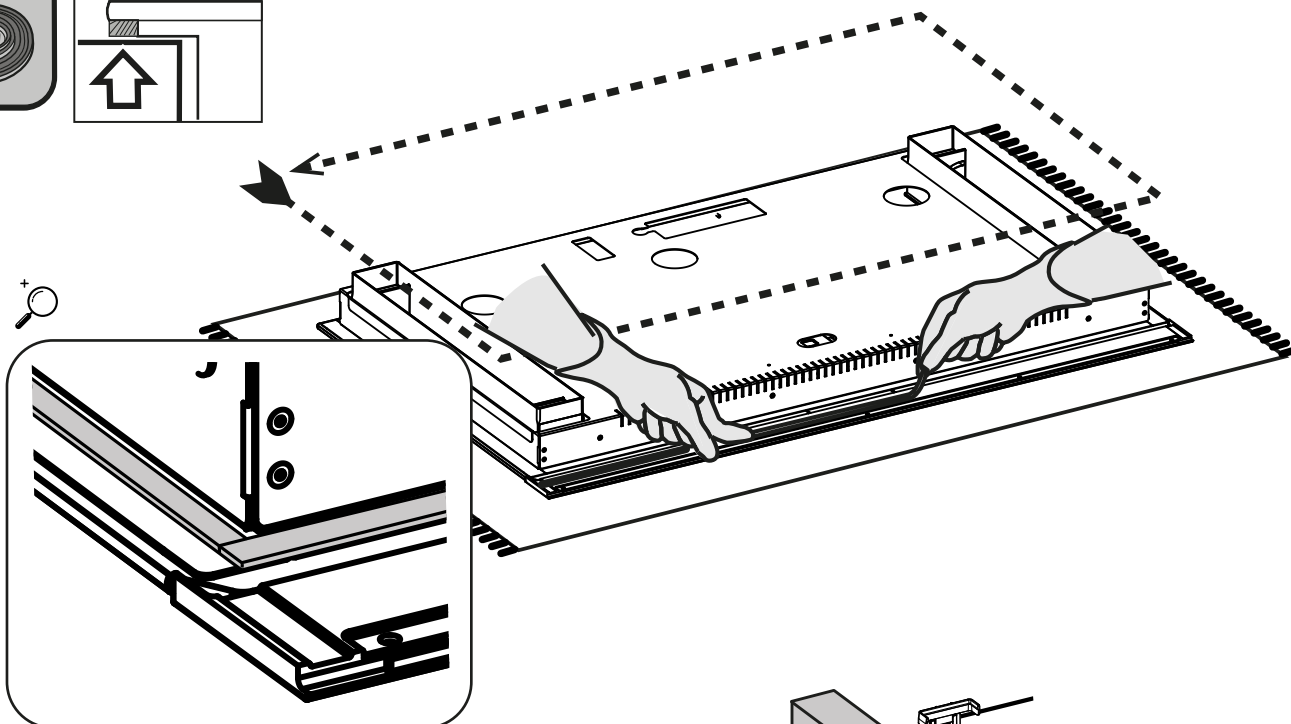
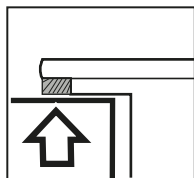


22.1

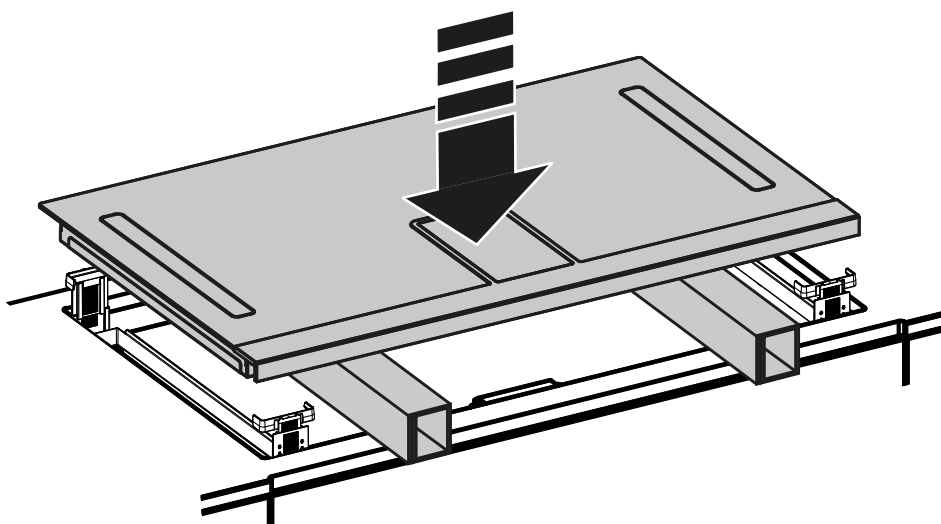
ON TOP → 

FLUSH → 

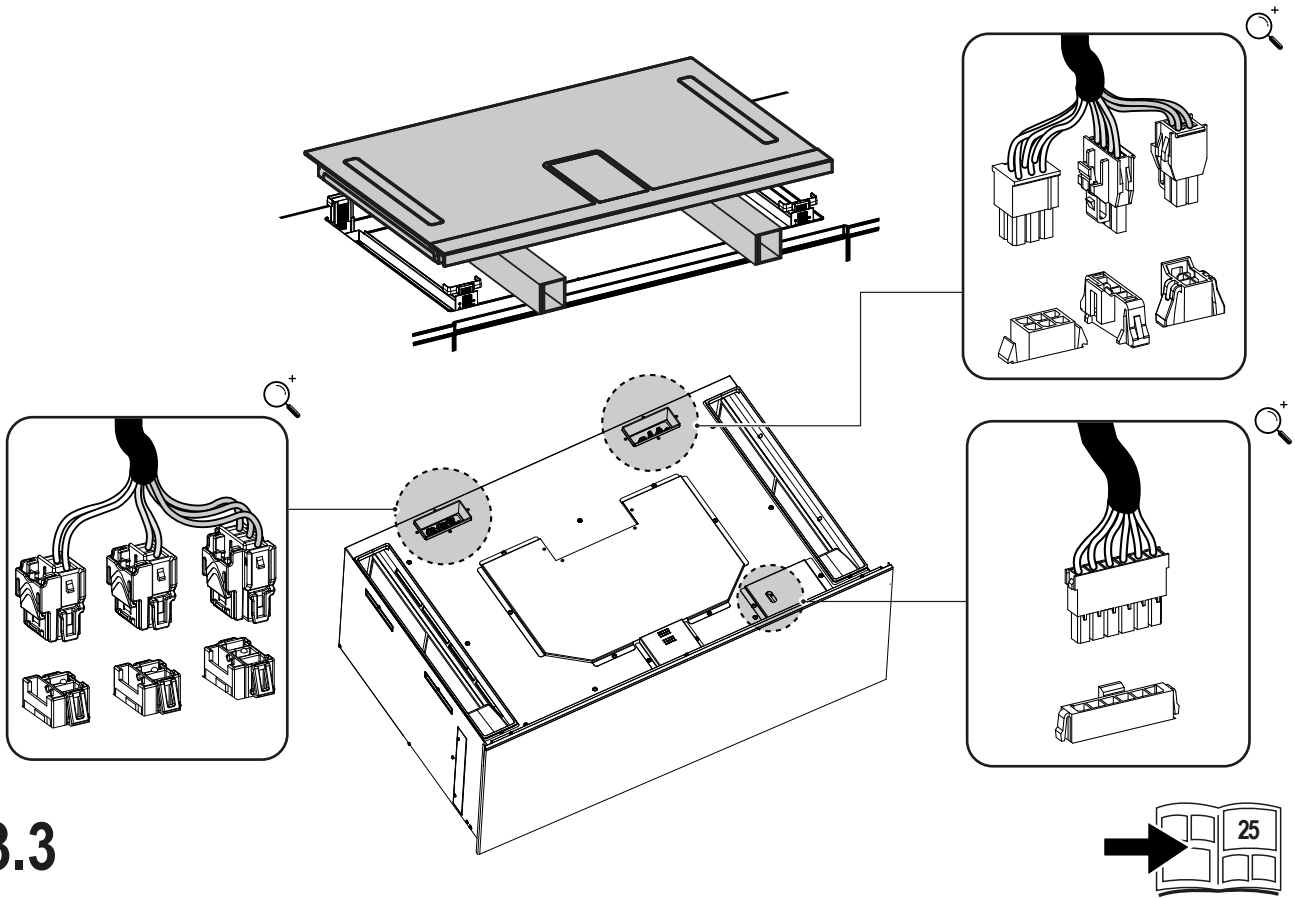
## ON TOP



23.1

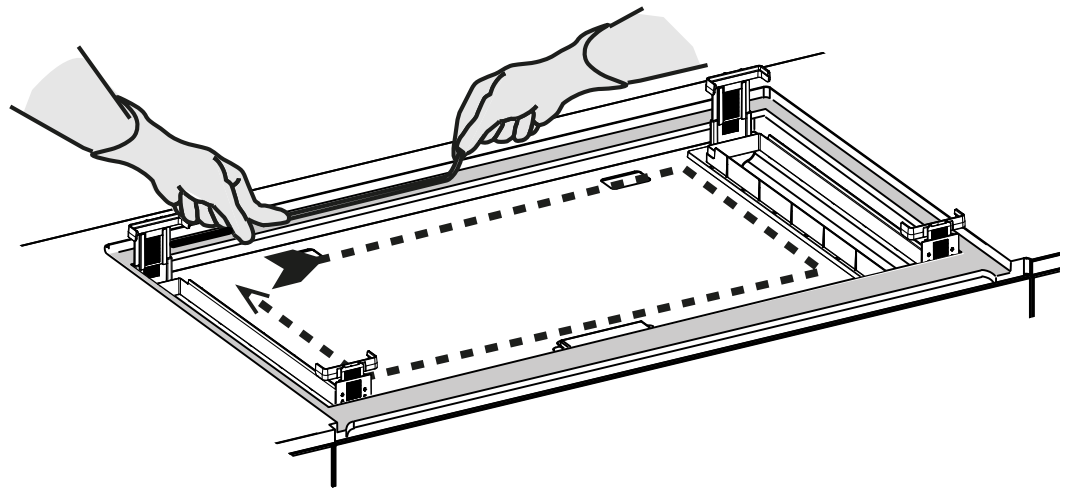
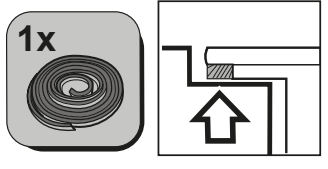


23.2

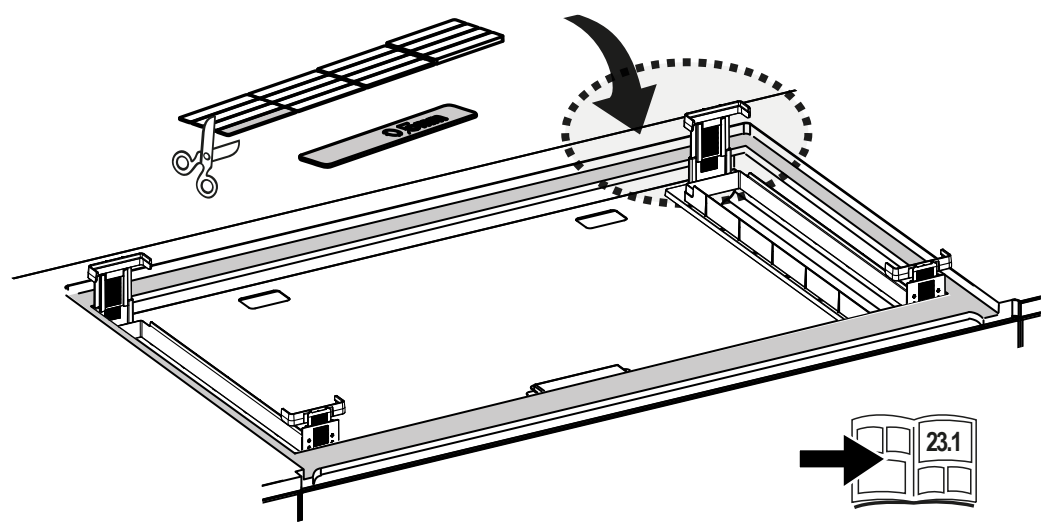
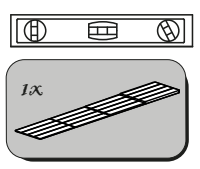


23.3

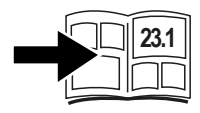
FLUSH



24

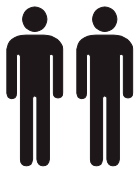
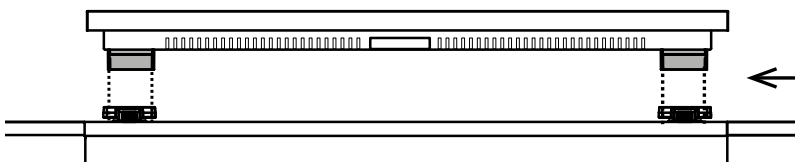
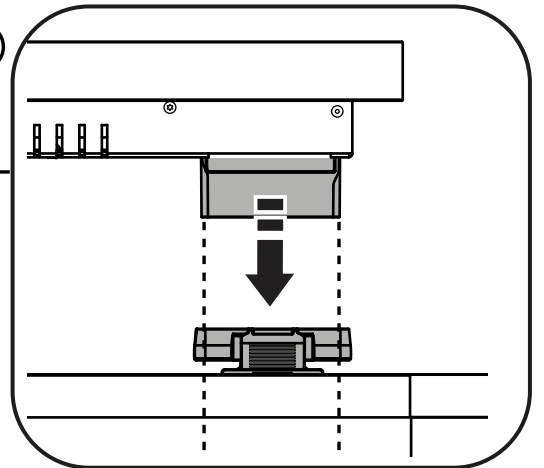
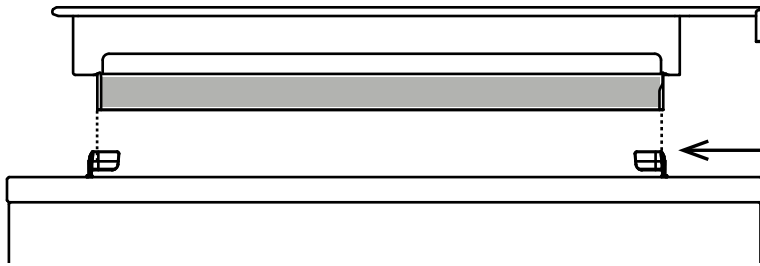
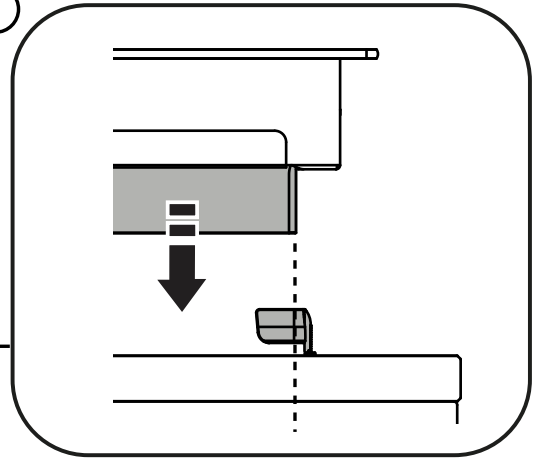
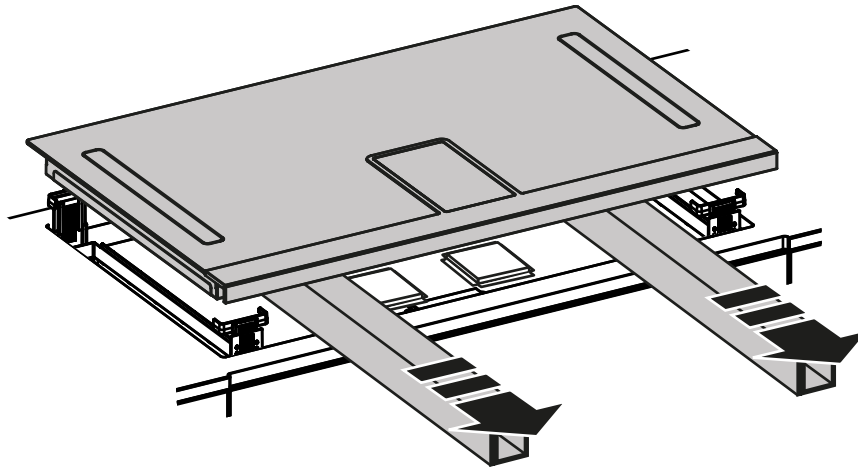


24.1





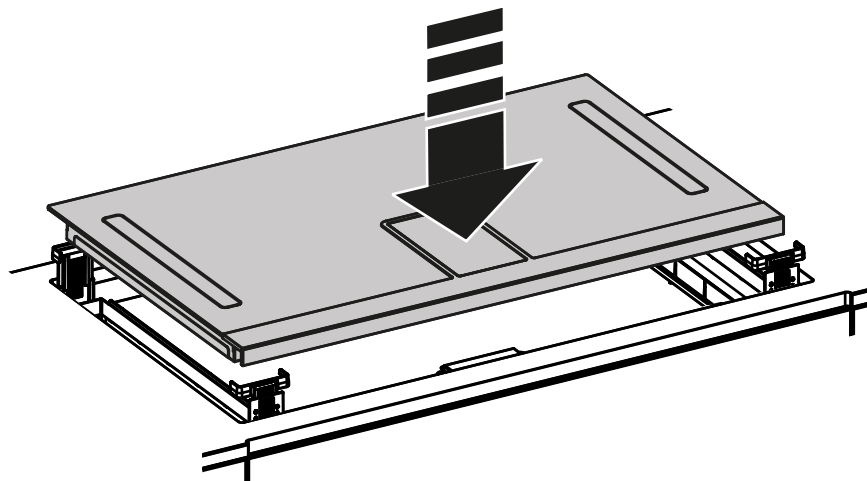
25

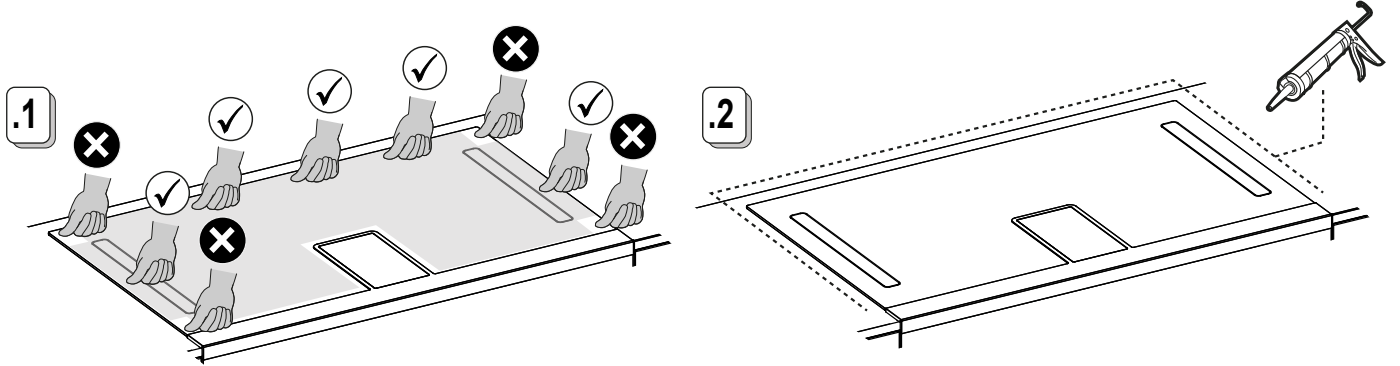
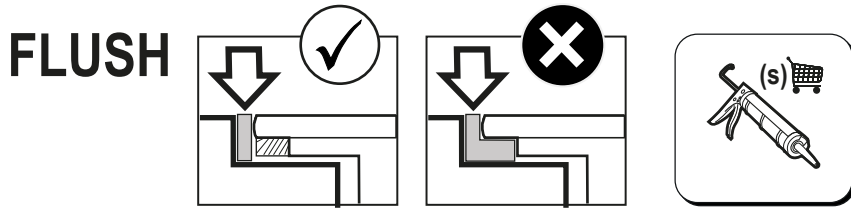


25.1

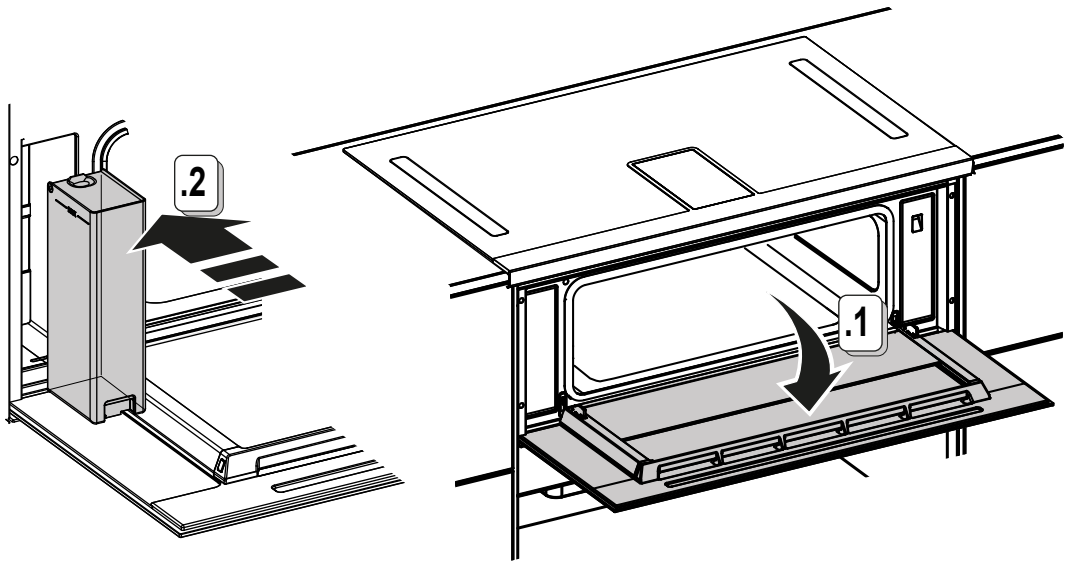


25.2

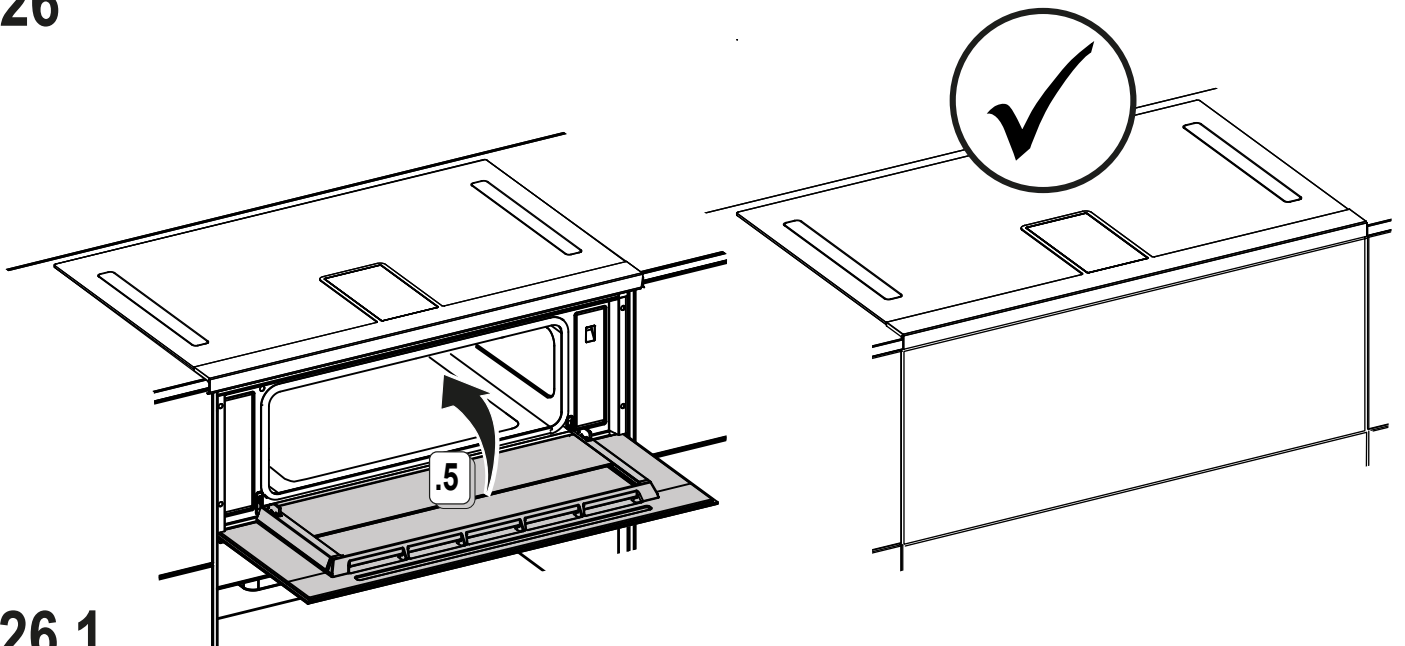




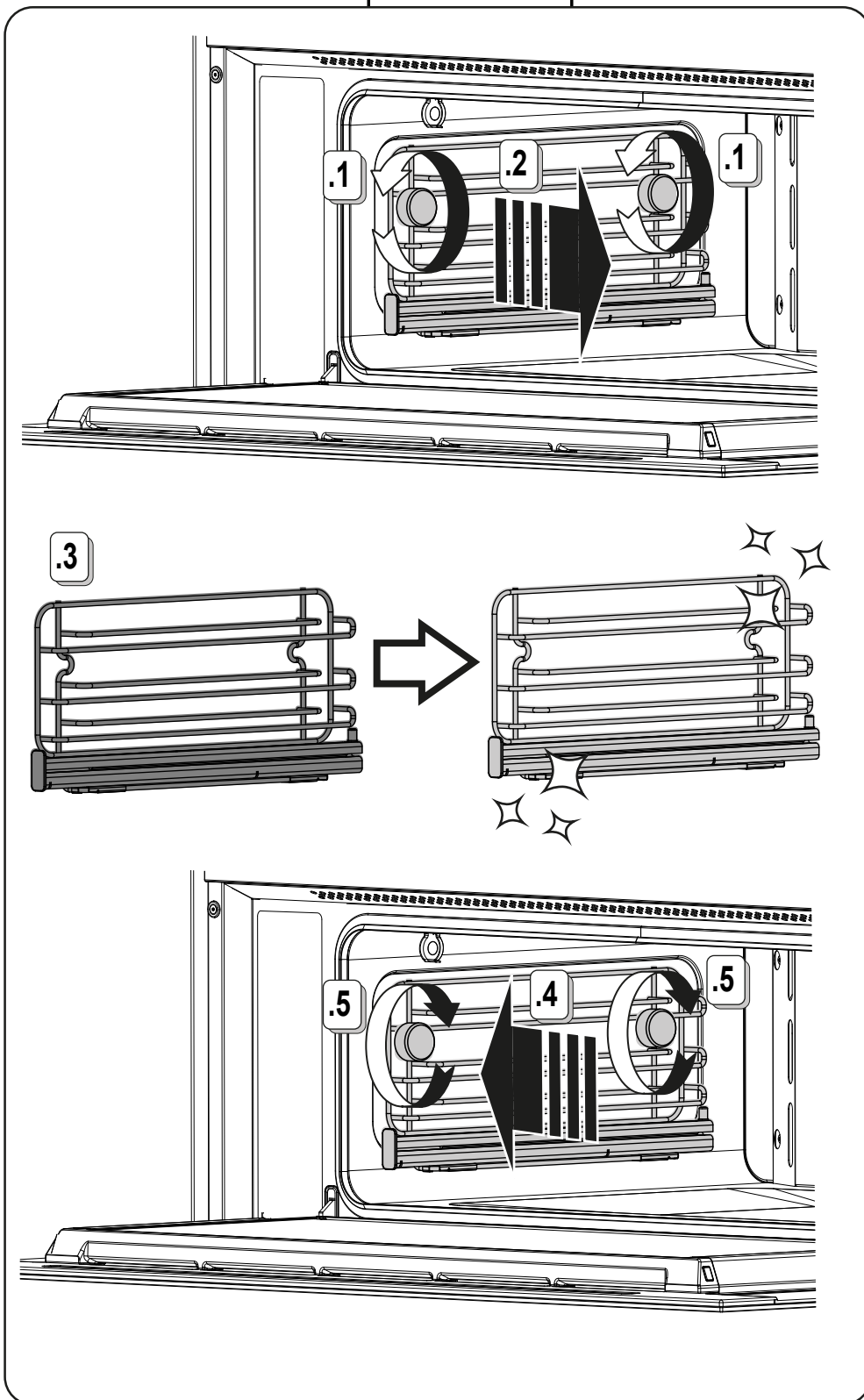
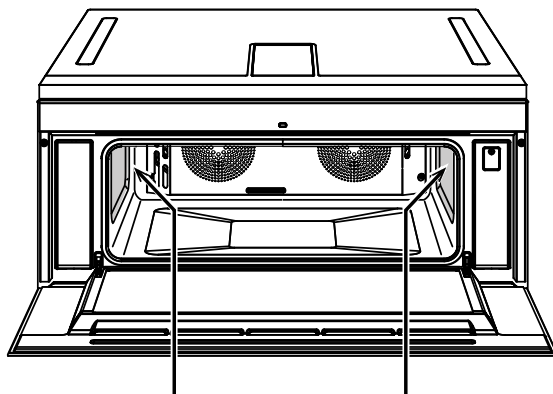
**25.3**

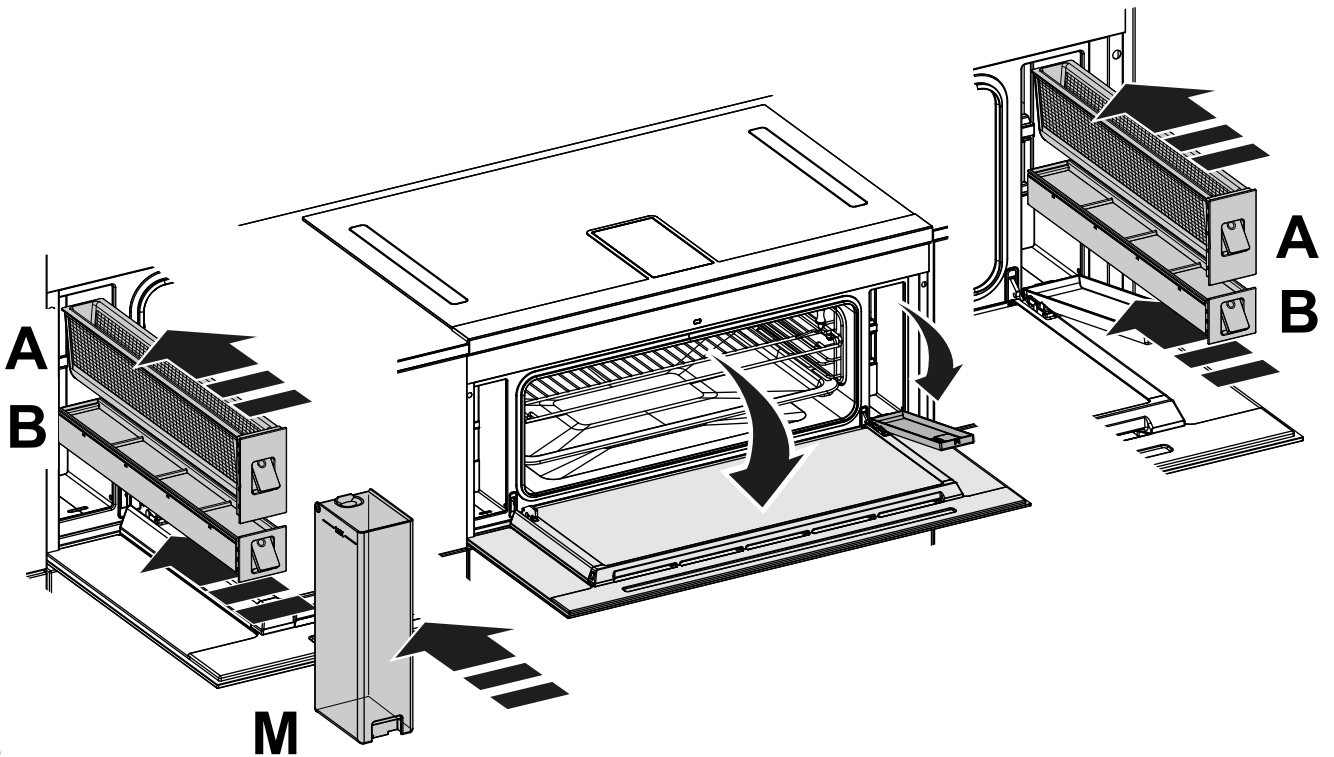
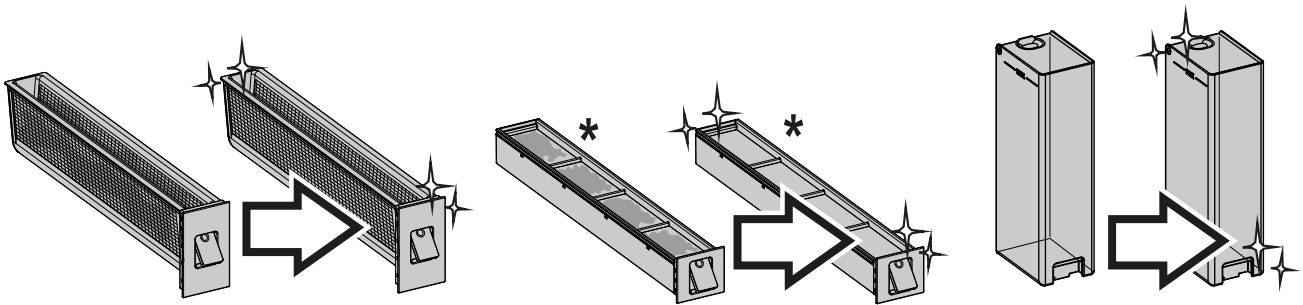
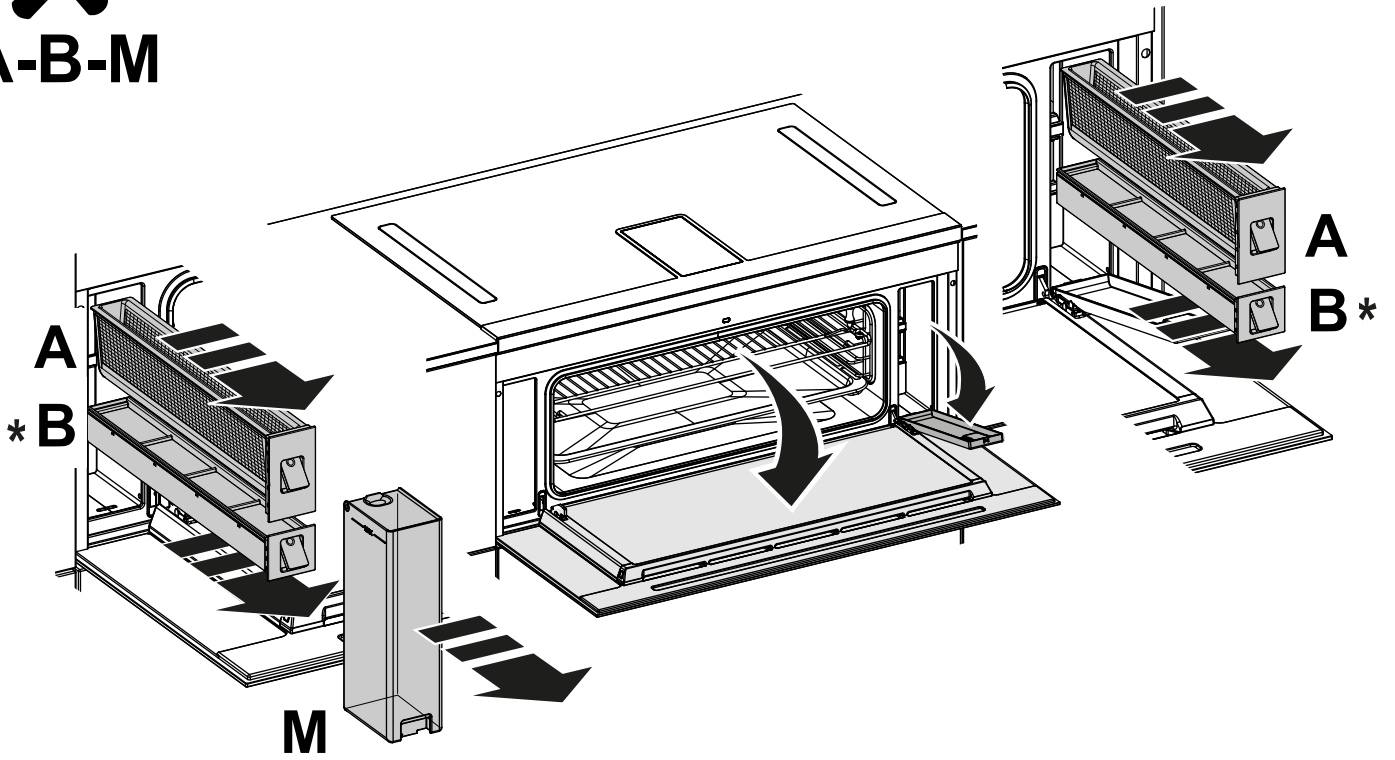


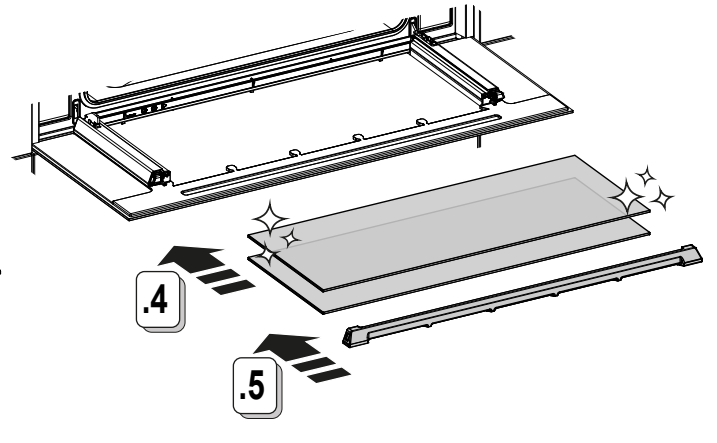
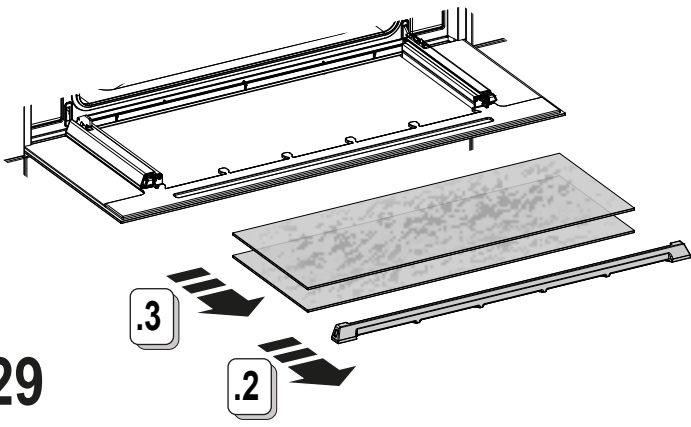
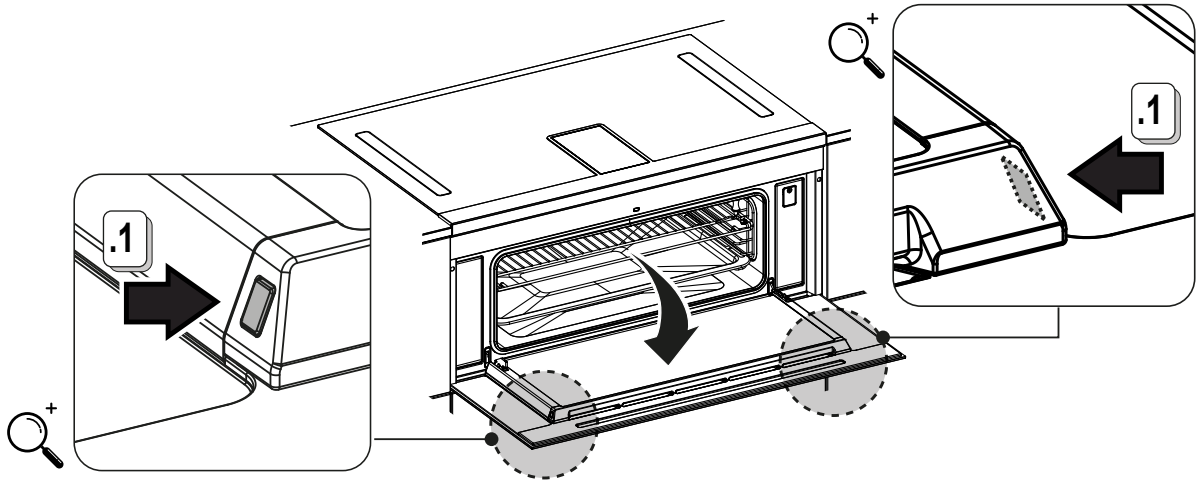
**26**



**26.1**







29

